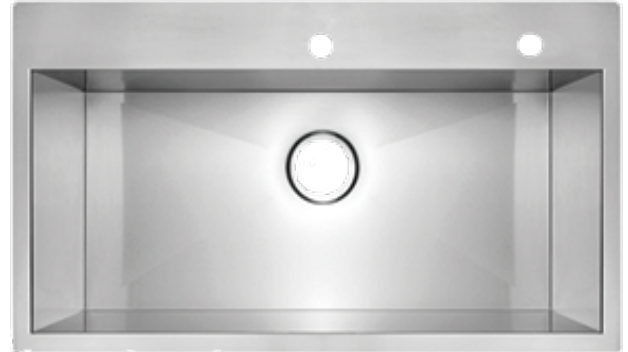


ZS-T-3322-9-1 "Large Single"

Features

- Certified 304 Grade 18 Gauge Stainless Steel
- Single Compartment
- Dual-Mount Undercounter -or- Drop-In
- Rectangular Bowl with square corners
- Unique sound-deadening system with sound pads and a special coating
- Lustrous and enduring finish which compliments any decor
- Limited lifetime warranty

Dual-Mount Kitchen



--- Dimensions ---	
Outer:	33" x 22"
Inner:	30-1/4" x 16-1/2"
Depth:	9"

Model	Description	Colors / Finishes
ZS-T-3322-9-1 "Large Single"	Drop-In Sink	N/A

Included Components

- Mounting Clips
- Cut-out template

Colors / Finishes

- N/A None Applicable

Optional Accessories

- Standard Strainer
- Premium Strainer
- Sink Grid #103

Codes / Standards Applicable

Specified model meets or exceeds the following:

- UPC Certified
- CSA Certified



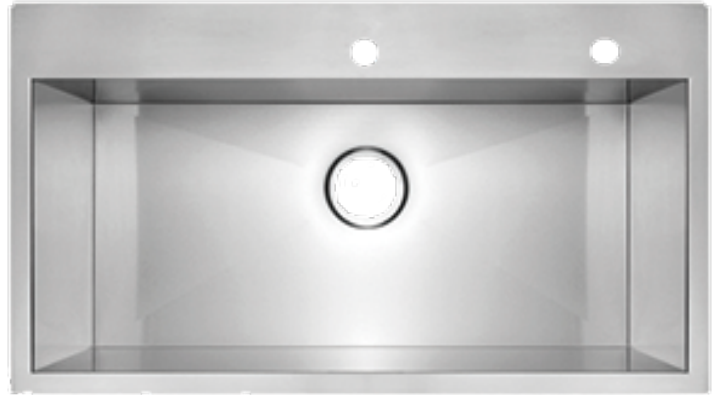
Product Specification

This drop-in sink shall be a single compartment with rectangular bowl. It shall be 33" in length and 22" in width, with an overall depth of 9". Sink shall be made of 18 gauge stainless steel. Sink shall include installation hardware. Sink shall be installable as undercounter or drop-in. Sink shall be UrbanPlace Model ZS-T-3322-9-1 "Large Single".

ZS-T-3322-9-1 "Large Single"

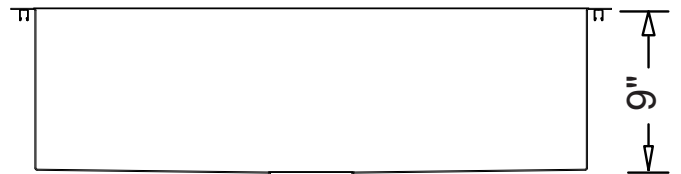
TECHNICAL INFORMATION

-- Fixture -- *	
Basin Area	30-1/4" x 16-1/2" x 9"
Drain Hole Diameter	3-5/8"
*Approximate measurements for comparison only.	

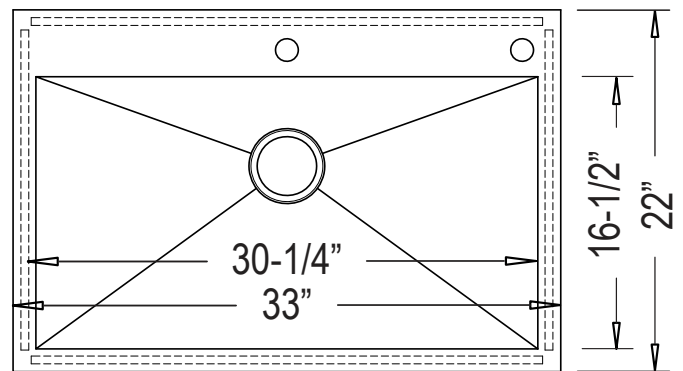


Product Image

Front View



Top View



Product Diagram