

## ZS-100-32187

### Features

- Certified 304 Grade 18 Gauge Stainless Steel
- Undermount
- Dual Compartments
- Rectangular Bowls with square corners
- Unique sound-deadening system with sound pads and a special coating
- Lustrous and enduring finish which compliments any decor
- Limited lifetime warranty

### Undermount Kitchen



--- Dimensions ---	
Outer:	31-1/4" x 18-1/2" x 7"
Inner:	29-3/4" x 18-1/2" x 7"
Left Bowl:	14-3/8" x 16-1/2" x 7"
Right Bowl:	14-3/8" x 16-1/2" x 7"

Model	Description	Colors / Finishes
ZS-100-32187	Undermount Sink	N/A

### Included Components

- Mounting Clips
- Cut-out template

### Colors / Finishes

- N/A None Applicable

### Optional Accessories

- Standard Strainer
- Premium Strainer
- Sink Grid #100

### Codes / Standards Applicable

Specified model meets or exceeds the following:

- UPC Certified
- CSA Certified



### Product Specification

This sink shall be a dual compartment with square bowls. It shall be 31-1/4" in length and 18-1/2" in width, with each bowl having an overall depth of 7". Sink shall be made of 18 gauge stainless steel. Sink shall include installation hardware. Sink shall be UrbanPlace Model ZS-100-32187.

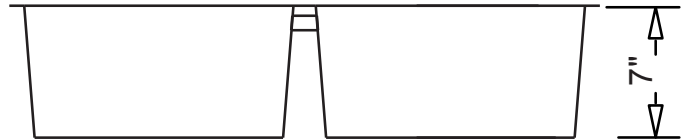
## TECHNICAL INFORMATION

Fixture*	
Overall Inner Area	29-3/4" x 16-1/2"
Left Bowl Basin Area	14-3/8" x 16-1/2"
Right Bowl Basin Area	14-3/8" x 16-1/2"
Left Bowl Water Depth	7"
Right Bowl Water Depth	7"
Drain Hole (Each Bowl)	3-5/8" D
*Approximate measurements for comparison only.	

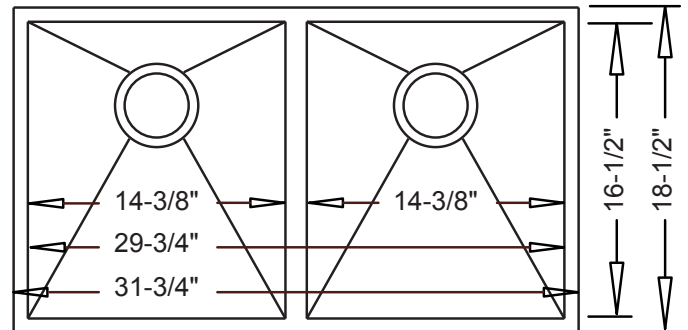


**Product Image**

**Front View**



**Top View**



**Product Diagram**