

R-ZS-3350 "33-Inch Radial Low-Divide 50-50 Apron"

Features

- Certified 334 Grade 18 Gauge Stainless Steel
- Dual Compartments
- 6-1/2" Front Apron Design
- Fits into most standard cabinets with no cutting
- 20° Inside Corner Rounded "Radial" Bowls for Easier Cleaning
- Unique sound-deadening system with sound pads and a special coating
- Lustrous and enduring finish which compliments any decor
- Limited lifetime warranty

Front Apron Kitchen



--- Dimensions ---	
Outer:	33" x 21-7/8" x 9"
Inner:	31" x 17" x 7"
Left Bowl:	14 x 17" x 7"
Right Bowl:	14" x 17" x 7"

Model	Description	Construction Material
R-ZS-3350 "33-Inch Radial Low Divide 50-50 Apron"	Apron Sink	Stainless Steel

Included Components

- Cut-out template

Colors / Finishes

- Brushed Stainless Finish

Optional Accessories

- Standard Strainer
- Premium Strainer
- Sink Grids

Codes / Standards Applicable

Specified model meets or exceeds the following:

- Warnock Hersey Certified
- CSA Certified



Product Specification

This sink shall be a Front-Apron style dual compartment featuring 20° inside rounded corner bowls. It shall be 33" in length and 21-7/8" in width, with a low divide giving each bowl a useable depth of 7". Sink shall be made of 18 gauge stainless steel. Sink shall include installation hardware. Sink shall be UrbanPlace Model Radial R-ZS-3350 "33-Inch Low Divide 50-50 Apron".

R-ZS-3350 "33-Inch Radial Low-Divide 50-50 Apron"

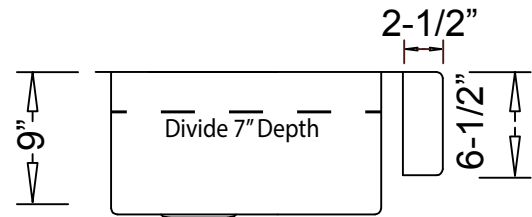
TECHNICAL INFORMATION

Fixture*	
Overall Inner Area	33" x 17"
Left Bowl Basin Area	14" x 17"
Right Bowl Basin Area	14" x 17"
Left Bowl Water Depth	7"
Right Bowl Water Depth	7"
Drain Hole (Each Bowl)	3-5/8" D
*Approximate measurements for comparison only.	

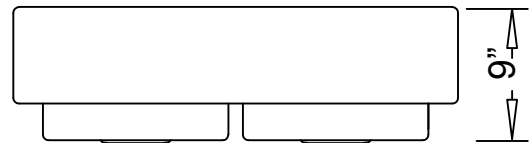


Product Image

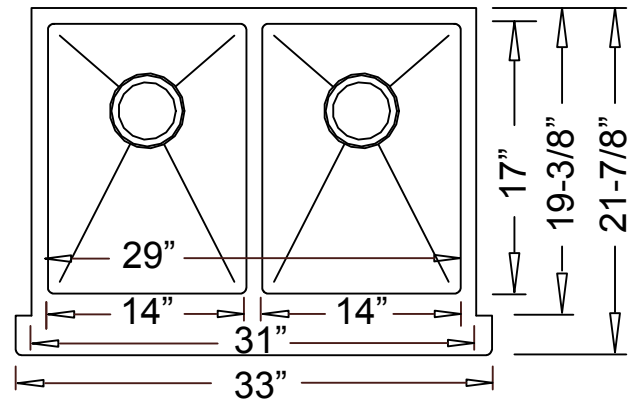
Side View



Front View



Top View



Product Diagram