

TU-US301 - "Elmont"

Undercounter Kitchen

Features

- Certified 304 Grade 16 Gauge Stainless Steel.
- Undercounter
- Single Compartment
- Rounded Bowl
- Unique sound-deadening system with sound pads and a special coating.
- Lustrous and enduring finish which compliments any decor.
- Limited lifetime warranty.



--- Dimensions ---
Outer
23-1/4" x 18" x 9"
Inner
21" x 15-3/4" x 9"

Model	Description	Colors / Finishes
TU-US301 "Elmont"	Undercounter Sink	N/A

Included Components

- Mounting Clips
- Cut-out template

Colors / Finishes

- N/A None Applicable

Optional Accessories

- Standard Strainer
- Premium Strainer
- Sink Grid

Codes / Standards Applicable

Specified model meets or exceeds the following:

- Warnock Hersey Certified



Product Specification

This undercounter sink shall be a single compartment with rounded bowl. It shall be 23-1/4" in length and 18" in width, with a bowl depth of 9". Sink shall be made of 16 gauge stainless steel. Sink shall include installation hardware. Sink shall be Tritan Model TU-US301, "Elmont".

TU-US301 - "Elmont"

TECHNICAL INFORMATION

Fixture*	
Basin Area	21" x 15-3/4"
Water Depth	9"
Drain Hole	3-5/8" D
*Approximate measurements for comparison only.	

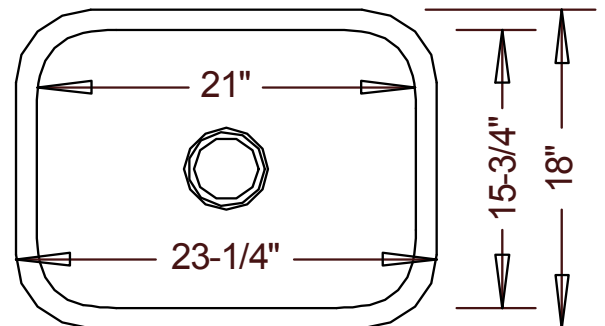


Product Image

Side View



Top View



Product Diagram