



# Specification Sheet

## R10 - "Prince"

### Undercounter Kitchen

#### Features

- Certified 304 Grade 18 Gauge Stainless Steel.
- Undercounter
- Single Compartment
- Rounded Bowl
- Unique sound-deadening system with sound pads and a special coating.
- Lustrous and enduring finish which compliments any decor.
- Limited lifetime warranty.



--- Dimensions ---

Outer

14-3/4" x 18-1/4" x 8"

Inner

13" x 16-1/2" x 8"

Model	Description	Colors / Finishes
R10 "Prince"	Undercounter Sink	N/A

#### Included Components

- Mounting Clips
- Cut-out template

#### Colors / Finishes

- N/A None Applicable

#### Optional Accessories

- Standard Strainer
- Premium Strainer
- Sink Grid
- Soap Dispenser
- Cutting Board

#### Codes / Standards Applicable

Specified model meets or exceeds the following:

- Warnock Hersey Certified



#### Product Specification

This undercounter sink shall be a single compartment with rounded bowl. It shall be 14-3/4" in length and 18-1/4" in width, with a bowl depth of 8". Sink shall be made of 18 gauge stainless steel. Sink shall include installation hardware.

Sink shall be Royalty Model R10, "Prince".

# R10 - "Prince"

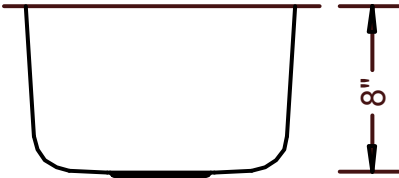
## TECHNICAL INFORMATION

Fixture*	
Basin Area	13" x 16-1/2"
Water Depth	8"
Drain Hole	3-5/8" D
*Approximate measurements for comparison only.	

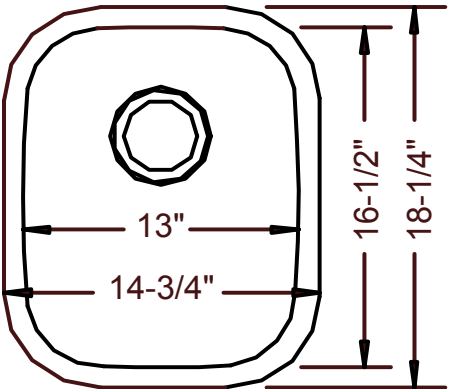


Product Image

Front View



Top View



Product Diagram