



Specification Sheet

R09 - "Peanut"

Undercounter Kitchen

Features

- Certified 304 Grade 18 Gauge Stainless Steel.
- Undercounter
- Single Compartment
- Rounded Bowl
- Unique sound-deadening system with sound pads and a special coating.
- Lustrous and enduring finish which compliments any decor.
- Limited lifetime warranty.



--- Dimensions ---

Outer

14-1/2" x 12-3/4" x 7"

Inner

12-1/2" x 10-3/4" x 7"

Model	Description	Colors / Finishes
R09 "Peanut"	Undercounter Sink	N/A

Included Components

- Mounting Clips
- Cut-out template

Colors / Finishes

- N/A None Applicable

Optional Accessories

- Standard Strainer
- Premium Strainer
- Sink Grid
- Soap Dispenser
- Cutting Board

Codes / Standards Applicable

Specified model meets or exceeds the following:

- Warnock Hersey Certified



Product Specification

This undercounter sink shall be a single compartment with rounded bowl. It shall be 14-1/2" in length and 12-3/4" in width, with a bowl depth of 7". Sink shall be made of 18 gauge stainless steel. Sink shall include installation hardware.

Sink shall be Royalty Model R09, "Peanut".

R09 - "Peanut"

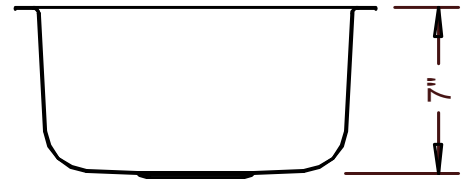
TECHNICAL INFORMATION

Fixture*	
Basin Area	12-1/2" x 10-3/4"
Water Depth	7"
Drain Hole	3-5/8" D
*Approximate measurements for comparison only.	

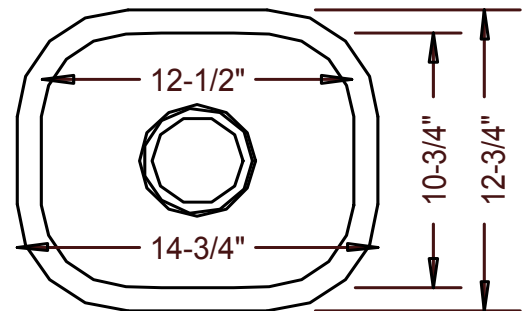


Product Image

Front View



Top View



Product Diagram