



Specification Sheet

PAUS19 - "Arizonian"

Features

- Certified 304 Grade 18 Gauge Stainless Steel
- Undercounter
- Single Compartment
- Rounded Bowl
- Lustrous and enduring finish which compliments any decor.
- Limited lifetime warranty.

Undercounter Kitchen



--- Dimensions ---
 Outer
 14" x 12" x 6-3/4"
 Inner
 12" x 10" x 6-3/4"

Model	Description	Colors / Finishes
PAUS19 "Arizonian"	Undercounter Sink	N/A

Included Components

- Mounting Clips
- Cut-out template

Colors / Finishes

- N/A None Applicable

Optional Accessories

- Standard Strainer
- Premium Strainer

Codes / Standards Applicable

Specified model meets or exceeds the following:

- UPC Certified
- ASME Certified
- CSA Certified



Product Specification

This undercounter sink shall be a single compartment with round bowl. It shall be 14" in length and 14" in width, with an overall depth of 6-3/4". Sink shall be made of 18 gauge stainless steel. Sink shall include installation hardware. Sink shall be Patriot Model PAUS19, "Arizonian".

PAUS19 - "Arizonian"

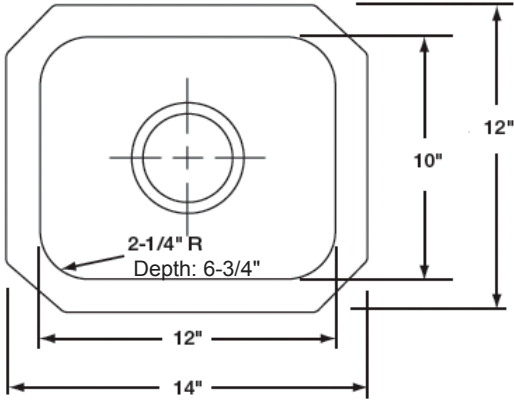
TECHNICAL INFORMATION

Fixture*	
Basin Diameter	12" x 10"
Water Depth	6-3/4"
Drain Hole	3-5/8" D

*Approximate measurements for comparison only.



Product Image



Product Diagram