



Specification Sheet

PADD25 - "Oklahoman"

Features

- Certified 304 Grade 23 Gauge Stainless Steel
- Drop-In Style
- ADA-Compliant (*when mounted according to ADA standards*)
- 50/50 Style
- Dual Compartments
- Rounded Bowls
- Lustrous and enduring finish which compliments any decor.
- Limited lifetime warranty.

Drop-In Kitchen



--- Dimensions ---

Outer

33" x 22" x 6"

Left Bowl

14" x 15-3/4" x 6"

Right Bowl

14" x 15-3/4" x 6"

Model	Description	Colors / Finishes
PADD25 "Oklahoman"	Drop-In Sink	N/A

Included Components

- Mounting Clips
- Cut-out template

Colors / Finishes

- N/A None Applicable

Optional Accessories

- Standard Strainer
- Premium Strainer

Codes / Standards Applicable

Specified model meets or exceeds the following:

- UPC Certified
- ASME Certified
- CSA Certified



Product Specification

This ADA-Compliant drop-in sink shall be a dual compartment with rounded bowls, in a 50/50 style. It shall be 33" in length and 22" in width, with each bowl having a depth of 6". Sink shall be made of certified 304 grade 23 gauge stainless steel. Sink shall include installation hardware. Sink shall be Patriot Model PADD25, "Oklahoman".

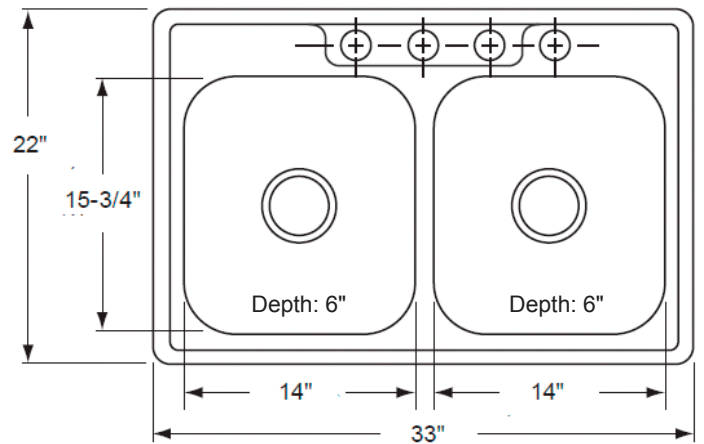
PADD25 - "Oklahoman"

TECHNICAL INFORMATION

Fixture*	
Basin Area (Left Bowl)	14" x 15-3/4"
Basin Area (Right Bowl)	14" x 15-3/4"
Water Depth (Left Bowl)	6"
Water Depth (Right Bowl)	6"
Drain Hole (Each Bowl)	3-5/8" D
*Approximate measurements for comparison only.	



Product Image



Product Diagram