

## Specification Sheet

## LE-905 - "Fulton"

### Features

- Certified 304 Grade 18 Gauge Stainless Steel.
- Undercounter Style
- Single Round Compartment
- Unique sound-deadening system with sound pads and a special coating.
- Lustrous and enduring finish which compliments any decor.
- Limited lifetime warranty.

### Undercounter Kitchen



--- Dimensions ---  
Outer Diameter  
17-1/8" x 7"  
Inner Diameter  
15-1/8" x 7"

Model	Description	Colors / Finishes
LE-905 "Fulton"	Undercounter Sink	N/A

### Included Components

- Mounting Clips
- Cut-out template

### Colors / Finishes

- N/A None Applicable

### Optional Accessories

- Standard Strainer
- Premium Strainer
- Sink Grid

### Codes / Standards Applicable

Specified model meets or exceeds the following:

- UPC Certified
- CSA Certified



### Product Specification

This undercounter sink shall be a single compartment with circular bowl. It shall be 17-1/8" in diameter, with a depth of 7". Sink shall be made of 18 gauge stainless steel. Sink shall include installation hardware. Sink shall be Leonet Model LE-905, "Fulton".

# LE-905 - "Fulton"

## TECHNICAL INFORMATION

Fixture*	
Basin Diameter	15-1/8"
Water Depth	7"
Drain Hole	3-5/8" D

\*Approximate measurements for comparison only.

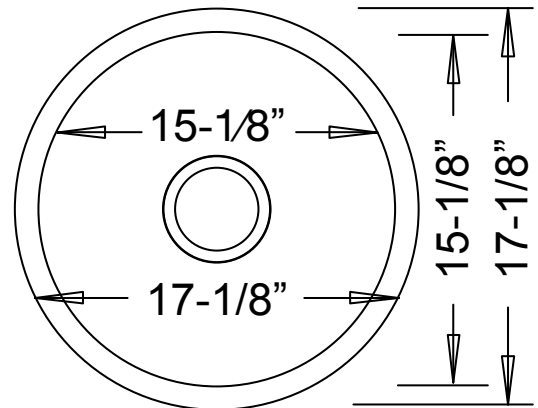


Product Image

Front View



Top View



Product Diagram