

Features

- Certified 304 Grade 16 Gauge Surgical Stainless Steel.
- Dimensions Match to 18g. Lancer #VS18813,
- 18g. ADA-Compatible #ADA-VS18813 Available.
- Undermount Design.
- Single Compartment.
- Rounded Bowl.
- R50mm rounded "Radial" inside corners for easier cleaning.
- Unique sound-deadening system with sound pads and a special coating.
- Lustrous and enduring finish which compliments any decor.
- Limited lifetime warranty.

Undermount Kitchen



--- Dimensions ---	
Outer:	30" x 18" x 9"
Inner:	28" x 16" x 9"

Model	Description	Colors / Finishes
16530	Undermount Sink	N/A

Included Components

- Mounting Clips
- Cut-out template

Colors / Finishes

- N/A None Applicable

Optional Accessories

- Standard Strainer
- Premium Strainer
- Sink Grid #GD-104

Codes / Standards Applicable

Specified model meets or exceeds the following:

- UPC Certified



Product Specification

This Undermount sink shall be a single compartment with rounded bowl. It shall be 30" in length and 18" in width, with an overall depth of 9". Sink shall be made of 16 Gauge Stainless Steel. Sink shall include installation hardware.

Sink shall be Intrepid Model 16530.

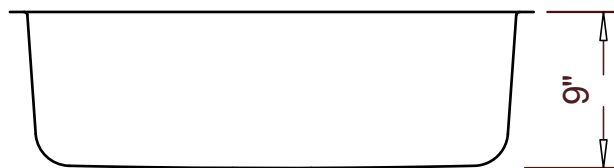
TECHNICAL INFORMATION

Fixture*	
Overall Inner Area	28" x 16"
Water Depth	9"
Drain Hole	3-5/8" D
*Approximate measurements for comparison only.	

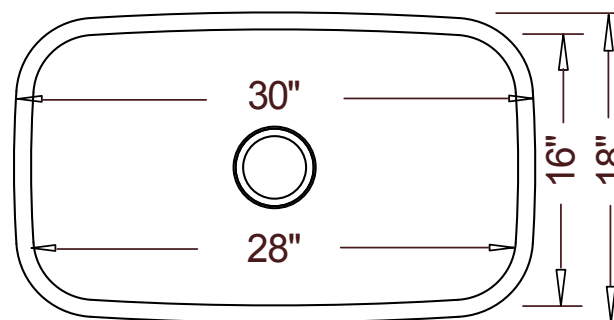


Product Image

Front View



Top View



Product Diagram