

Features

- Certified 304 Grade 16 Gauge Surgical Stainless Steel.
- Undermount Design.
- Single Compartment.
- Rounded Bowl.
- R50mm rounded "Radial" inside corners for easier cleaning.
- Unique sound-deadening system with sound pads and a special coating.
- Lustrous and enduring finish which compliments any decor.
- Limited lifetime warranty.

Undermount Kitchen



--- Dimensions ---	
Outer:	23" x 17-3/4" x 9"
Inner:	21" x 15-3/4" x 9"

Model	Description	Colors / Finishes
16231	Undermount Sink	N/A

Included Components

- Mounting Clips
- Cut-out template

Colors / Finishes

- N/A None Applicable

Optional Accessories

- Standard Strainer
- Premium Strainer
- Sink Grid #GD-0

Codes / Standards Applicable

Specified model meets or exceeds the following:

- UPC Certified



Product Specification

This Undermount sink shall be a single compartment with rounded bowl. It shall be 23" in length and 17-3/4" in width, with an overall depth of 9". Sink shall be made of 16 Gauge Stainless Steel Sink shall include installation hardware.

Sink shall be Intrepid Model 16231.

TECHNICAL INFORMATION

Fixture*	
Overall Inner Area	21" x 15-3/4"
Water Depth	9"
Drain Hole	3-5/8" D
*Approximate measurements for comparison only.	

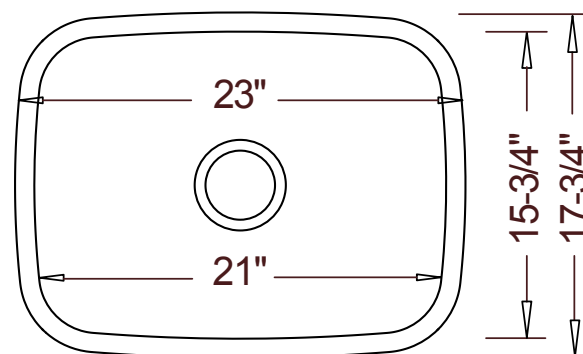


Product Image

Front View



Top View



Product Diagram