

Specification Sheet

FA108 - "Invicta"

Features

- Certified 304 Grade 16 Gauge Stainless Steel.
- Undercounter
- Dual Compartments
- Rounded Bowls
- Unique sound-deadening system with sound pads and a special coating.
- Lustrous and enduring finish which compliments any decor.
- Limited lifetime warranty.

Undercounter Kitchen



--- Dimensions ---

Outer

32" x 20-3/4" x 9"

Inner

15-3/4" x 18-3/4" x 9" (Left Bowl)

13" x 16-5/8" x 7-1/2" (Right Bowl)

| Model | Description | Colors / Finishes |
|-----------------|-------------------|-------------------|
| FA108 "Invicta" | Undercounter Sink | N/A |

Included Components

- Mounting Clips
- Cut-out template

Colors / Finishes

- N/A None Applicable

Optional Accessories

- Standard Strainer
- Premium Strainer
- Sink Grid
- Soap Dispenser

Codes / Standards Applicable

Specified model meets or exceeds the following:

- UPC Certified
- CSA Certified



Product Specification

This sink shall be a dual compartment with rounded bowls. It shall be 32" in length and 20-3/4" in width, with a left bowl depth of 9" and a right bowl depth of 7-1/2". Sink shall be made of 16 gauge stainless steel. Sink shall include installation hardware. Sink shall be Futura Model FA108, "Invicta".

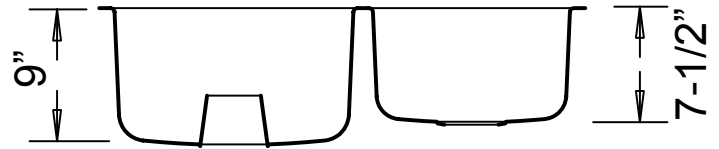
TECHNICAL INFORMATION

| Fixture* | |
|--|-------------------|
| Basin Area (Left Bowl) | 15-3/4" x 18-3/4" |
| Basin Area (Right Bowl) | 13" x 16-5/8" |
| Water Depth (Left Bowl) | 9" |
| Water Depth (Right Bowl) | 7-1/2" |
| Drain Hole (Each Bowl) | 3-5/8" D |
| *Approximate measurements for comparison only. | |

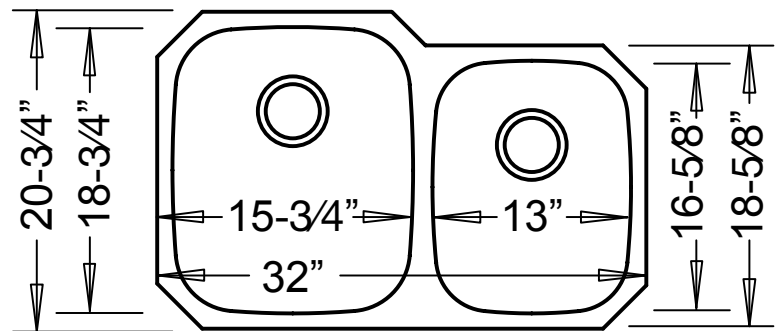


Product Image

Side View



Top View



Product Diagram