

**DI-769**

### Drop-In Bar/Prep

#### Features

- Certified 304 Grade Surgical Stainless Steel
- Drop-In Style
- Single Compartment
- Rounded Bowl
- Unique sound-deadening system with sound pads and a special coating
- Lustrous and enduring finish which compliments any decor
- Limited lifetime warranty



--- Dimensions ---	
Outer:	15" x 15" x 5-1/2"
Inner:	12" x 10" x 5-1/2"

Model	Description	Colors / Finishes
Drop-In DI-769	Drop-In Sink	N/A

#### Included Components

- Mounting Clips
- Cut-out template

#### Colors / Finishes

- N/A None Applicable

#### Optional Accessories

- Standard Strainer
- Premium Strainer
- Sink Grid

#### Product Specification

This sink shall be a single compartment with rounded bowl. It shall be 15" in length and 15" in width, with an overall depth of 5-1/2". Sink shall be made of 304 Grade Surgical Stainless Steel. Sink shall include mounting clips and cut-out template. Sink shall be Drop-In Model DI-769.

**TECHNICAL INFORMATION**

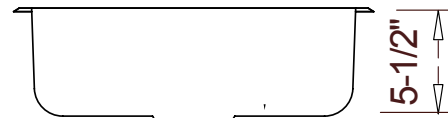
Fixture*	
Basin Area	12" x 10"
Water Depth	5-1/2"
Drain Hole	3-5/8" D

\*Approximate measurements for comparison only.

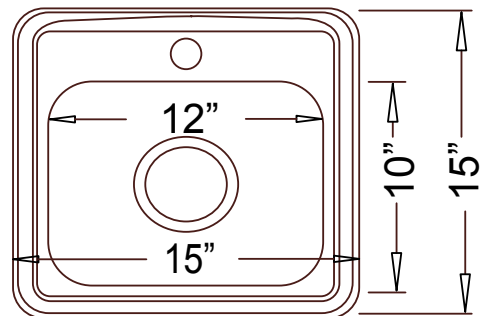


**Product Image**

**Front View**



**Top View**



**Product Diagram**