

DI-6040

Drop-In Kitchen

Features

- Certified 304 Grade 20 Gauge Stainless Steel
- Drop-In Style
- Dual Compartments
- Rounded Bowls
- Unique sound-deadening system with sound pads and a special coating
- Lustrous and enduring finish which compliments any decor
- Limited lifetime warranty



--- Dimensions ---	
Outer:	33" x 22" x 8"
Left Bowl:	15-1/2" x 16" x 8"
Right Bowl:	12-1/2" x 14" x 7"

Model	Description	Colors / Finishes
Drop-In DI-6040	Drop-In Sink	N/A

Included Components

- Mounting Clips
- Cut-out template

Colors / Finishes

- N/A None Applicable

Optional Accessories

- Standard Strainer
- Premium Strainer
- Sink Grid

Codes / Standards Applicable

Specified model meets or exceeds the following:

- UPC Certified
- CSA Certified



Product Specification

This sink shall be a dual compartment with rounded bowls. It shall be 33" in length and 22" in width, with the left bowl having an overall depth of 8" and the right bowl having an overall depth of 7". Sink shall be made of 20 Gauge 304 Grade Surgical Stainless Steel. Sink shall include mounting clips and cut-out template. Sink shall be Drop-In Model DI-6040.

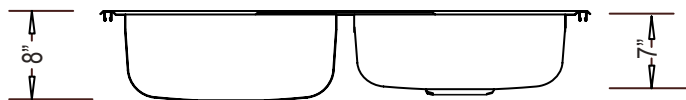
TECHNICAL INFORMATION

Fixture*	
Basin Area (Left Bowl)	15-1/2" x 16"
Basin Area (Right Bowl)	12-1/2" x 14"
Water Depth (Left Bowl)	8"
Water Depth (Right Bowl)	7"
Drain Hole (Each Bowl)	3-5/8" D
*Approximate measurements for comparison only.	

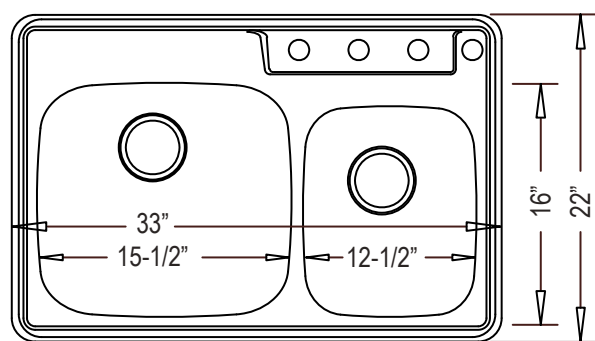


Product Image

Front View



Top View



Product Diagram