

“Trench”

Undermount Vanity

Features

- Genuine Vitreous China
- Undermount Installation
- ADA-Compliant
(when installed according to ADA mounting guidelines)
- Single Compartment
- Rounded Rectangular Shaped Bowl



Dimensions

Outer: 20-7/8" x 14-5/8" x 8-1/4"
Inner: 18-1/2" x 12-3/8" x 6-1/4"

Model Number	Description	Color / Finish
YES483	Undermount Sink	White
YES485	Undermount Sink	Bisque

Included Components

- Cut-out template

Available Colors



Optional Accessories

- Pop-Up Drain
- Mounting Clips

Codes / Standards Applicable

Specified model meets or exceeds UPC certification



Product Specification

This undermount vanity sink shall be 20-7/8" in length and 14-5/8" in width, with an overall depth of 8-1/4" and an inner bowl depth of 6-1/4". Sink shall be a single compartment with rounded rectangular bowl, composed of Vitreous China.

Sink shall be ADA-Compliant when installed according to ADA mounting guidelines.

Sink shall be Continental Model "Trench".

TECHNICAL INFORMATION

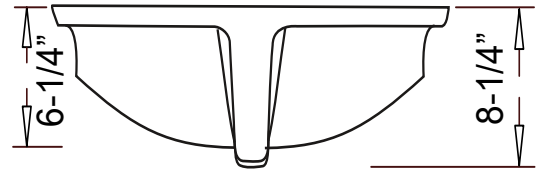
Fixture*	
Basin Area	18-1/2" x 12-3/8"
Water Depth	6-1/4"
Drain Hole	1 7/8" D
*Approximate measurements for comparison only.	

Please note: All porcelain sinks are fired at a very high temperature; final dimensions may vary slightly.

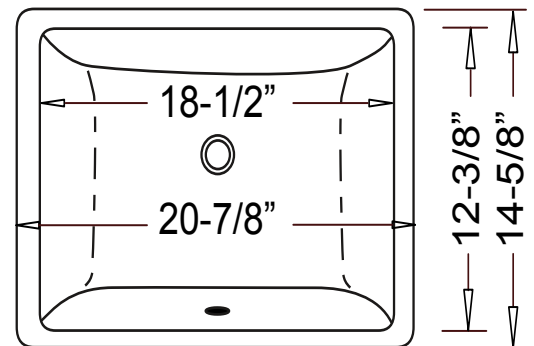


Installed Product Image

Front View



Top View



Product Diagram