

“Laver”

Vessel Vanity

Features

- Genuine Vitreous China
- Counter Surface Installation
- Single Compartment
- Rounded Rectangular Bowl



Dimensions

Outer: 18" x 15-1/2" x 7"
Inner: 16-3/4" x 14-1/4" x 5-1/4"

Model Number	Description	Color / Finish
CH810	Vessel Vanity Sink	White

Included Components

- Cut-out template

Available Colors

White

Optional Accessories

- Pop-Up Drain
- Mounting Clips

Codes / Standards Applicable

Specified model meets or exceeds UPC certification



Product Specification

The vessel vanity sink shall be 18" in width and 15-1/2" and length, with an overall depth of 7" and a bowl depth of 5-1/4". Sink shall be a single compartment with rounded rectangular bowl, composed of Vitreous China. Sink shall be Continental Model "Laver".

TECHNICAL INFORMATION

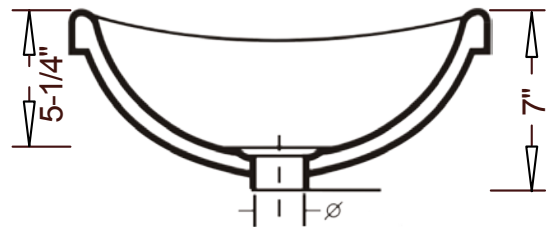
Fixture*	
Basin Area	16-3/4" x 14-1/4"
Water Depth	5-1/4"
Drain Hole	1-7/8" D
*Approximate measurements for comparison only.	

Please note: All porcelain sinks are fired at a very high temperature; final dimensions may vary slightly.

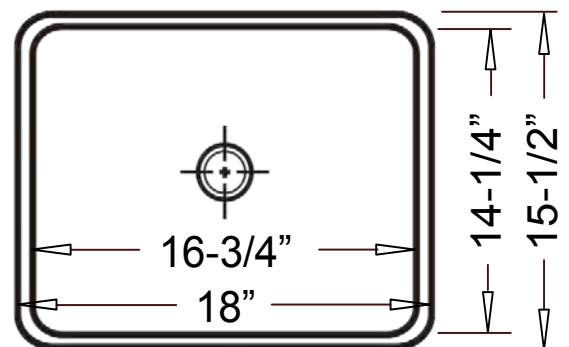


Installed Product Image

Side View



Top View



Product Diagram