

**Vessel Vanity**

**Features**

- Genuine Vitreous China
- Counter Surface Installation
- Single Compartment
- Round Bowl



**Dimensions**

Outer: 18-1/2" x 18-1/2" x 6-1/4"  
Inner: 17-1/2" x 13-1/2" x 4-1/2"

| Model Number | Description        | Color / Finish |
|--------------|--------------------|----------------|
| CH6510       | Vessel Vanity Sink | White          |
| CH6520       | Vessel Vanity Sink | Bisque         |
| CH6530       | Vessel Vanity Sink | Black          |

**Included Components**

- Cut-out template

Available Colors



**Optional Accessories**

- Pop-Up Drain
- Mounting Clips

**Product Specification**

The vessel vanity sink shall be 18-1/2" in width and 18-1/2" in length, with an overall depth of 6-1/4" and a bowl depth of 4-1/2". Sink shall be a single compartment with kidney shaped bowl, composed of Vitrious China. Sink shall be Continental Model "Cone".

**TECHNICAL INFORMATION**

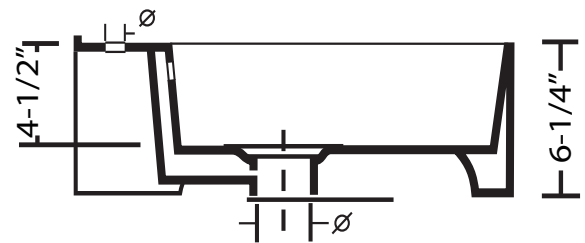
| Fixture*                                       |                   |
|--|-------------------|
| Basin Area                                     | 17-1/2" x 13-1/2" |
| Water Depth                                    | 4-1/2"            |
| Drain Hole                                     | 1-7/8" D          |
| *Approximate measurements for comparison only. |                   |

*Please note: All porcelain sinks are fired at a very high temperature; final dimensions may vary slightly.*

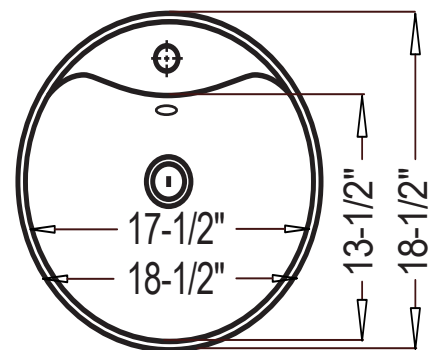


**Installed Product Image**

**Side View**



**Top View**



**Product Diagram**