

“Clutch”

Undermount Vanity

Features

- Genuine Vitreous China
- Undermount Installation
- ADA-Compliant
(when installed according to ADA mounting guidelines)
- Single Compartment
- Square Shaped Bowl



Dimensions

Outer: 17-1/4" x 17-1/4" x 7-1/2"
Inner: 14-7/8" x 14-7/8" x 5-3/4"

Model Number	Description	Color / Finish
YES1717	Undermount Sink	White

Included Components

- Cut-out template

Available Colors

White

Optional Accessories

- Pop-Up Drain
- Mounting Clips

Codes / Standards Applicable

Specified model meets or exceeds UPC certifications



Product Specification

This undermount vanity sink shall be 17-1/4" in length and 17-1/4" in width, with an overall depth of 7-1/2" and an inner bowl depth of 5-3/4". Sink shall be a single compartment with square bowl, composed of Vitreous China. Sink shall be ADA-Compliant when installed according to ADA mounting guidelines.

Sink shall be Continental Model "Clutch".

TECHNICAL INFORMATION

Fixture*	
Basin Area	14-7/8" x 14-7/8"
Water Depth	5-3/4"
Drain Hole	1-7/8" D

*Approximate measurements for comparison only.

Please note: All porcelain sinks are fired at a very high temperature; final dimensions may vary slightly.

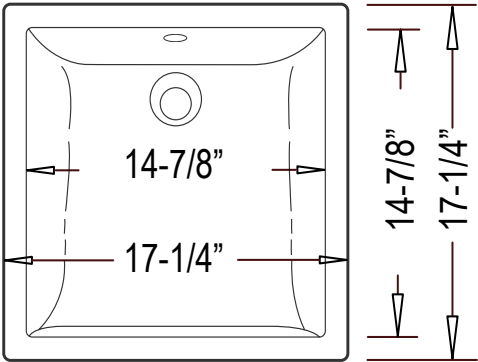


Product Image

Front View



Top View



Product Diagram