

Vessel Vanity

Features

- Genuine Vitreous China
- Counter Surface Installation
- Single Compartment
- Rectangular Shaped Bowl



Dimensions

Outer: 20-1/4" x 15-3/4" x 7"

Inner: 15-3/4" x 9-1/2" x 5"

Model Number	Description	Color / Finish
CH3110	Vessel Vanity Sink	White
CH3120	Vessel Vanity Sink	Bisque

Included Components

- Cut-out template

Available Colors



Optional Accessories

- Pop-Up Drain
- Mounting Clips

Product Specification

The Vessel sink shall be 20-1/4" in width and 15-3/4" in length, with an overall depth of 7" and a bowl depth of 5".

Sink shall be a single compartment with rectangular bowl, composed of Vitrious China.

Sink shall be Continental Model "Box".

TECHNICAL INFORMATION

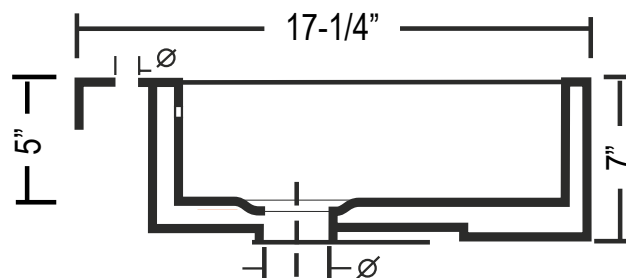
Fixture*	
Basin Area	15-3/4" x 9-1/2"
Water Depth	5"
Drain Hole	1 7/8" D
*Approximate measurements for comparison only.	

Please note: All porcelain sinks are fired at a very high temperature; final dimensions may vary slightly.

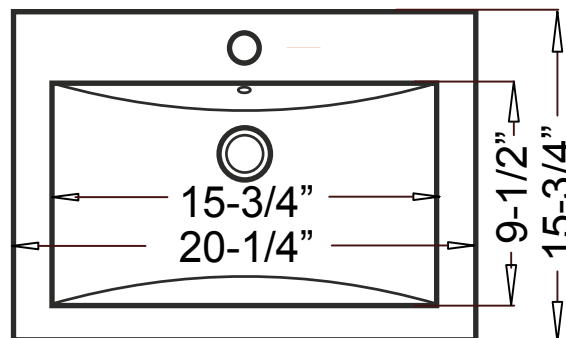


Installed Product Image

Side View



Top View



Product Diagram