



Specification Sheet

CH-71x0 - "Tub"

Vessel Vanity

Features

- Genuine Vitreous China
- Vessel
- Single Compartment
- Rectangular Shaped Bowl



Dimensions

Outer: 18-3/4" x 13-1/4" x 5-1/2"

Inner: 17-3/4" x 12-1/4" x 4-1/2"

Model - "Tub"	Description	Colors / Finishes
CH-7110	Vessel Vanity Sink	White
CH-7120	Vessel Vanity Sink	Bisque
CH-7130	Vessel Vanity Sink	Black

Included Components

- Cut-out template

Available Colors



Optional Accessories

- Pop-Up Drain
- Mounting Clips

Codes / Standards Applicable

Specified model meets or exceeds the following:



Product Specification

The Vessel sink shall be 18-3/4" in width and 13-1/4" in length, with an overall depth of 5-1/2" and a bowl depth of 4-1/2".

Sink shall be a single compartment with rectangular bowl, composed of Vitrious China.

Sink shall be Chinashell Models CH-7110, CH-7120, and CH-7130, "Tub".

CH-71x0 - "Tub"

TECHNICAL INFORMATION

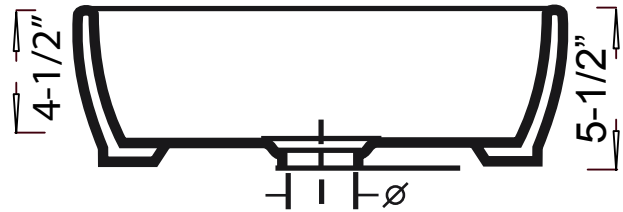
Fixture*	
Basin Area	17-3/4" x 12-1/4"
Water Depth	4-1/2"
Drain Hole	1 7/8" D

*Approximate measurements for comparison only.

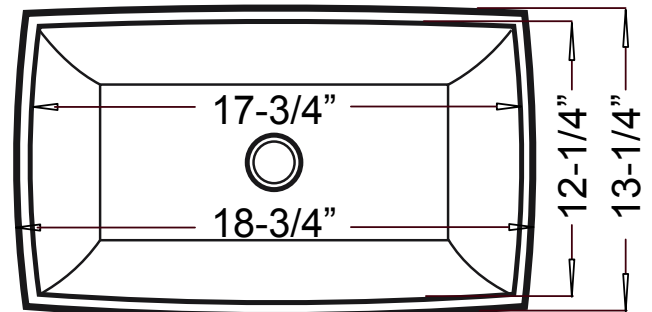


Product Image

Side View



Top View



Product Diagram