



Specification Sheet

CH-53x - "Basin"

Undercounter Vanity

Features

- Genuine Vitreous China
- Undercounter
- ADA-Compliant
(when installed according to ADA mounting guidelines)
- Single Compartment
- Rectangular Bowl with Rounded Corners



Dimensions

Outer: 20-3/4" x 13-3/8" x 7-1/2"

Inner: 18-1/2" x 11" x 5-1/2"

Model - "Basin"	Description	Colors / Finishes
CH-533	Undercounter Sink	White
CH-535	Undercounter Sink	Bisque
CH-551	Undercounter Sink	Black

Included Components

- Cut-out template

Available Colors



Optional Accessories

- Pop-Up Drain
- Mounting Clips

Codes / Standards Applicable

Specified model meets or exceeds the following:



Product Specification

The undercounter vanity sink shall be 20-3/4" in length and 13-3/8" in width, with an overall depth of 7-1/2" and a bowl depth of 5-1/2". Sink shall be a single compartment with oval bowl, composed of Vitreous China. Sink shall be ADA-Compliant when installed according to ADA mounting guidelines. Sink shall be Chinashell Models CH-533, CH-535 and CH-551, "Basin".

CH-53x - "Basin"

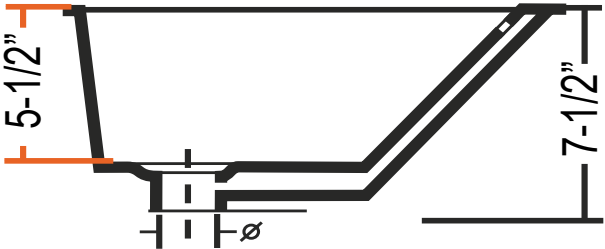
TECHNICAL INFORMATION

Fixture*	
Basin Area	18-1/2" x 11"
Water Depth	5-1/2"
Drain Hole	1-1/2" D
*Approximate measurements for comparison only.	

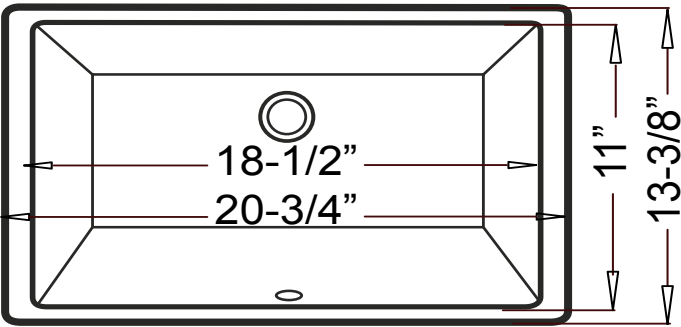


Product Image

Side View



Top View



Product Diagram