



Specification Sheet

CH-51x0 - "Contour"

Vessel Vanity

Features

- Genuine Vitreous China
- Drop-In
- Single Compartment
- Round Bowl



Dimensions

Outer: 16-1/2" x 16-1/2" x 5-1/8"

Inner: 15-1/8" x 15-1/8" x 4"

Model - "Contour"	Description	Colors / Finishes
CH-5110	Vessel Vanity Sink	White
CH-5120	Vessel Vanity Sink	Bisque
CH-5130	Vessel Vanity Sink	Black

Included Components

- Cut-out template

Available Colors



Optional Accessories

- Pop-Up Drain
- Mounting Clips

Codes / Standards Applicable

Specified model meets or exceeds the following:



Product Specification

The vessel vanity sink shall be 18-1/2" in diameter, with an overall depth of 5-3/8" and a bowl depth of 4".

Sink shall be a single compartment with inward sloping bowl, composed of Vitrious China.

Sink shall be Chinashell Models CH-5110, CH-5120 and CH-5130, "Contour".

CH-51x0 - "Contour"

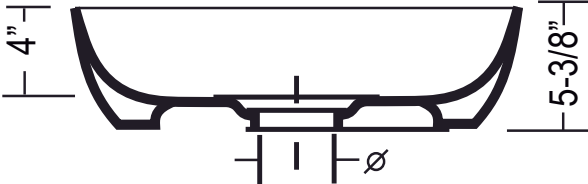
TECHNICAL INFORMATION

Fixture*	
Basin Area	15-1/8" x 15-1/8"
Water Depth	4"
Drain Hole	1-7/8" D
*Approximate measurements for comparison only.	

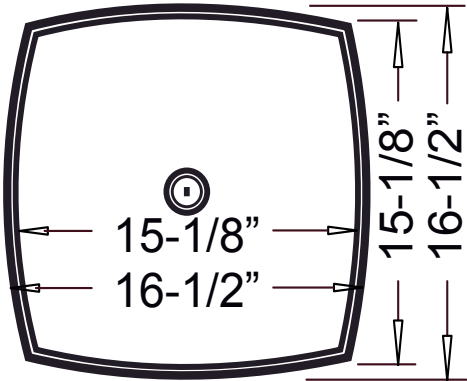


Product Image

Side View



Top View



Product Diagram