



CH-3x0 - "Daisy"

Drop-In Vanity

Features

- Genuine Vitreous China
- Drop-In
- Single Compartment
- Oval Shaped Bowl
- Single Faucet Mounting Hole



Dimensions

Outer: 21-3/4" x 18-5/8" x 8-1/4"
 Inner: 17-1/4" x 12-1/4" x 6-3/8"

Model - "Daisy"	Description	Colors / Finishes
CH-300	Drop-In Sink	White
CH-310	Drop-In Sink	Bisque

Included Components

- Cut-out template

Available Colors



Optional Accessories

- Pop-Up Drain
- Mounting Clips

Codes / Standards Applicable

Specified model meets or exceeds the following:



Product Specification

The drop-in vanity sink shall be 21-3/4" in width and 18-5/8" in length, with an overall depth of 8-1/4" and an inner bowl depth of 6-3/8". Sink shall be a single compartment with oval bowl, composed of Vitrious China, possessing a single faucet mounting hole. Sink shall be Chinashell Models CH-300, and CH-310, "Daisy".

CH-3x0 - "Daisy"

TECHNICAL INFORMATION

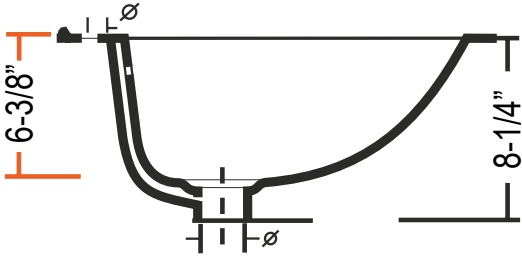
Fixture*	
Basin Area	18" x 12-1/2"
Water Depth	6"
Drain Hole	1 7/8" D

*Approximate measurements for comparison only.

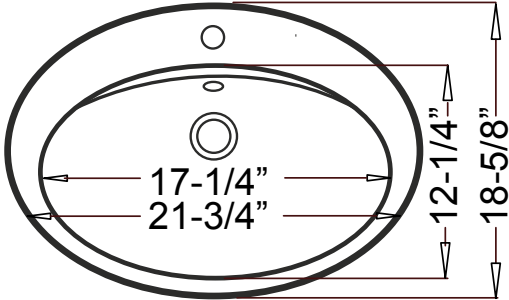


Product Image

Top View



Side View



Product Diagram