



Specification Sheet

CH33x0 - "Apron"

Vessel Vanity

Features

- Genuine Vitreous China
- Vessel
- Single Compartment
- Oval Shaped Bowl



Dimensions

Outer: 20-1/2" x 16-3/4" x 6-7/8"
 Inner: 16-1/2" x 10-1/4" x 4-1/2"

Model - "Apron"	Description	Colors / Finishes
CH3310	Vessel Vanity Sink	White
CH3320	Vessel Vanity Sink	Bisque

Included Components

- Cut-out template

Available Colors



Optional Accessories

- Pop-Up Drain
- Mounting Clips

Codes / Standards Applicable

Specified model meets or exceeds UPC certification



Product Specification

The Vessel sink shall be 20-1/2" in width and 16-3/4" in length, with an overall depth of 6-7/8" and a bowl depth of 4-1/2". Sink shall be a single compartment with rectangular bowl, composed of Vitrious China. Sink shall be Chinashell Models CH3110, and CH3320, "Apron".

CH33x0 - "Apron"

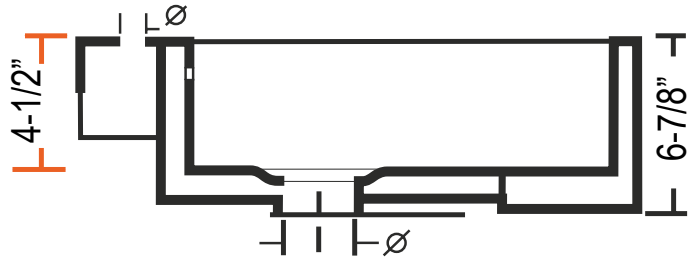
TECHNICAL INFORMATION

Fixture*	
Basin Area	16-1/2" x 10-1/4"
Water Depth	4-1/2"
Drain Hole	1 7/8" D
*Approximate measurements for comparison only.	



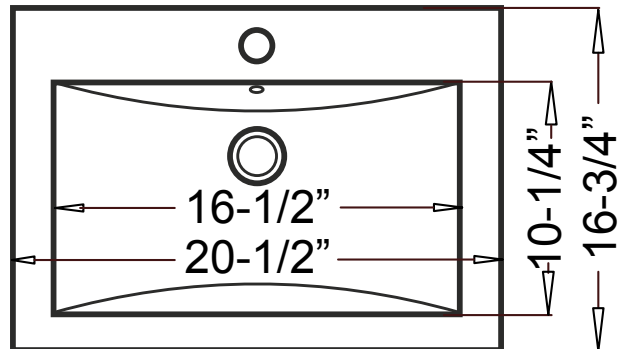
Product Image

Side View



Change #6025
Apron (33x0)

Top View



Product Diagram