



CH31x0 - "Box"

Vessel Vanity

Features

- Genuine Vitreous China
- Vessel
- Single Compartment
- Rectangular Shaped Bowl



Dimensions

Outer: 20-1/2" x 16-1/4" x 7"

Inner: 17-1/4" x 9-3/4" x 5"

Model - "Box"	Description	Colors / Finishes
CH3110	Vessel Vanity Sink	White
CH3120	Vessel Vanity Sink	Bisque

Included Components

- Cut-out template

Available Colors



Optional Accessories

- Pop-Up Drain
- Mounting Clips

Product Specification

The Vessel sink shall be 20-1/2" in width and 16-1/4" in length, with an overall depth of 7" and a bowl depth of 5".

Sink shall be a single compartment with rectangular bowl, composed of Vitrious China.

Sink shall be Chinashell Models CH3110, and CH3120, "Box".

CH31x0 - "Box"

TECHNICAL INFORMATION

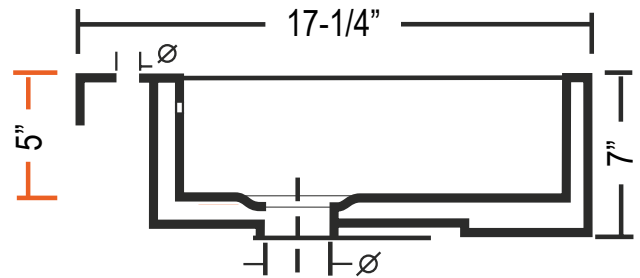
Fixture*	
Basin Area	17-1/4" x 9-3/4"
Water Depth	5"
Drain Hole	1 7/8" D

*Approximate measurements for comparison only.

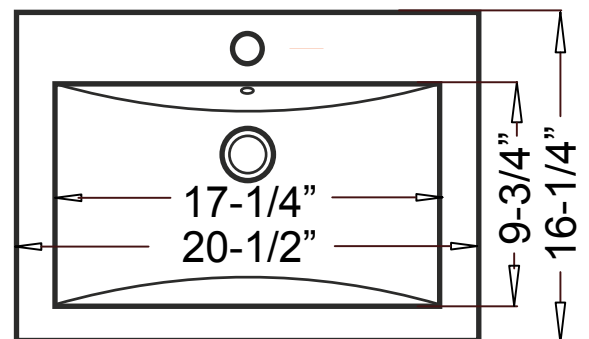


Product Image

Side View



Top View



Product Diagram