



# Specification Sheet

## CH-12x0 - "Canoe"

### Vessel Vanity

#### Features

- Genuine Vitreous China
- Drop-In
- Single Compartment
- Round Bowl



#### Dimensions

Outer: 23-1/4" x 15" x 7-1/2"  
 Inner: Slope to 14-1/2" x 5-5/8"

Model - "Canoe"	Description	Colors / Finishes
CH-1210	Vessel Vanity Sink	White
CH-1220	Vessel Vanity Sink	Bisque
CH-1230	Vessel Vanity Sink	Black

#### Included Components

- Cut-out template

#### Available Colors



#### Optional Accessories

- Pop-Up Drain
- Mounting Clips

#### Codes / Standards Applicable

Specified model meets or exceeds the following:



#### Product Specification

The vessel vanity sink shall be 23-1/2" in width and 15-1/2" in length, with an overall depth of 7-1/2" and a bowl depth of 4-3/4". Sink shall be a single compartment with oval inward sloping bowl, composed of Vitrious China. Sink shall be Chinashell Models CH-1210, CH-1220 and CH-1230, "Canoe".

# CH-12x0 - "Canoe"

## TECHNICAL INFORMATION

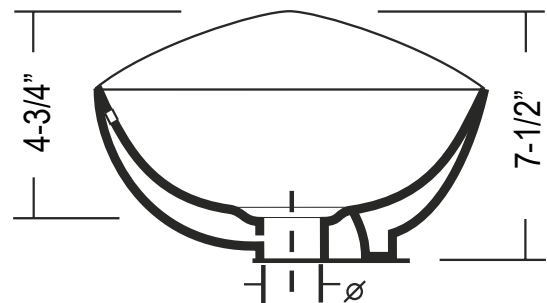
Fixture*	
Basin Area	Slope to 14-1/2" x 5-5/8"
Water Depth	4-3/4"
Drain Hole	1-7/8" D

\*Approximate measurements for comparison only.

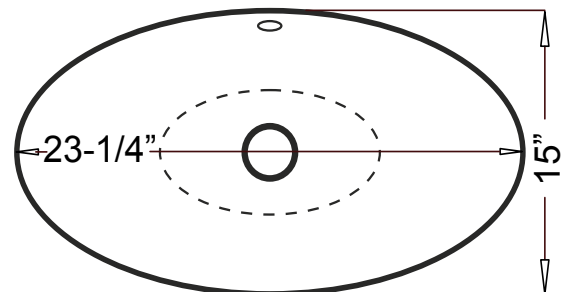


Product Image

Side View



Top View



Product Diagram