

735-UM “Redondo”

Undermount Kitchen

Features

- Single Piece Cast Iron Construction
- Undermount Design
- Dual Compartments
- Rounded Bowls
- Porcelain Enameled Finish
- Available In Multiple Colors
- Limited lifetime warranty



--- Dimensions ---	
Outer:	33" x 22" x 10"
Left Bowl:	16" x 18-1/2" x 10"
Right Bowl:	12" x 16-1/2" x 8"

Model	Description
735-UM “Redondo”	Undermount Sink

Included Components

- Cut-out template

Colors / Finishes

- White
- Black
- Biscuit

Optional Accessories

- Vance Undermount Installation Kit *
- Standard Strainer
- Premium Strainer
- Sink Grid
- Cutting Board

Codes / Standards Applicable

Specified model meets or exceeds the following:

- UPC Certified
- CSA Certified
- IAMPO Certified
- SCC Certified



* Required for Warranty

Product Specification

This sink shall be a dual compartment with rounded bowls. It shall be 33" in length and 22" in width, with the left bowl having a depth of 10" and the right bowl having a depth of 8". Sink shall be a single piece made from Cast Iron, available in select porcelain enamel finish. Sink shall include cut-out template. Sink shall be Model 735-UM “Redondo”.

735-UM "Redondo"

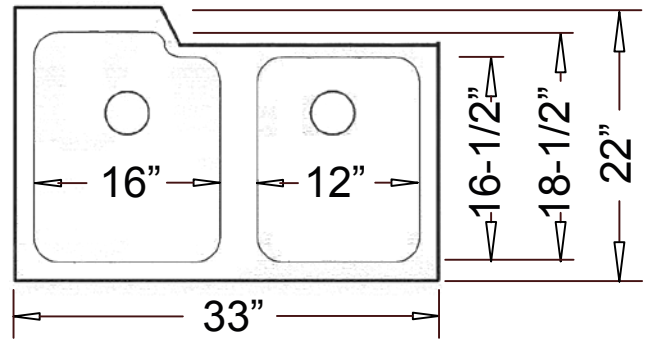
TECHNICAL INFORMATION

-- Fixture -- *	
Basin Area (Left Bowl)	14" x 16-1/2" x 8"
Basn Area (Right Bowl)	14" x 16-1/2" x 8"
Drain Holes Diameter	3-5/8"
*Approximate measurements for comparison only.	

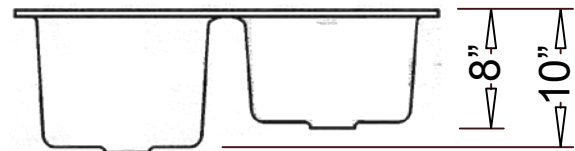


Product Image

Top View



Front View



Product Diagram