

## LI-SV-14

### Oval Vanity

#### Features

- Certified 304 Grade Stainless Steel.
- Oval Vanity.
- Single Compartment.
- Dual-Mount Assembly Under-Mount or Drop-In.
- Unique sound-deadening system with sound pads and a special coating.
- Lustrous and enduring finish which compliments any decor.
- Limited lifetime warranty.



--- Dimensions ---	
Outer	21" x 15-1/2"
Inner.	19" x 13-1/2"
Depth	7"

Model	Description	Colors / Finishes
LI-SV-14	Oval Vanity	Brushed Nickel Deck

#### Included Components

- Pop-Up Drain w/Standard Overflow
- Cutout template
- Mounting Hardware

#### Colors / Finishes

- N/A None Applicable

#### Optional Accessories

- N/A (All accessories included)

#### Codes / Standards Applicable

Specified model meets or exceeds the following:

- Warnock Hersey Certified



#### Product Specification

This oval vanity sink shall be a single compartment with a bowl featuring zero-radius inside corners. Sink shall be 21" in length and 15-1/2" in width, with a bowl depth of 7". Sink shall be made of certified 304 grade 18 gauge stainless steel. Sink shall include pop-up drain with standard overflow, and installation cutout template. Sink shall be C-Tech Model LI-SV-14.

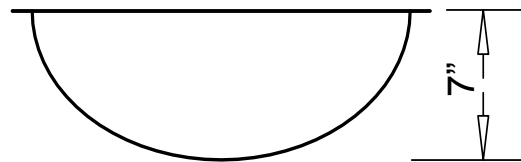
**TECHNICAL INFORMATION**

<b>Fixture*</b>	
Basin Area Diameter	19" x 13-1/2"
Water Depth	7"
Drain Hole	1-5/8" dia.
*Approximate measurements for comparison only.	

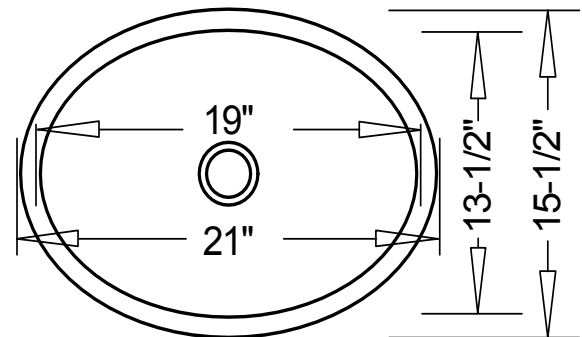


**Product Image**

**Front View**



**Top View**



**Product Diagram**