

Features

- Certified 304 Grade Stainless Steel.
- Under Counter installation.
- Single Compartment
- Rounded Bowl
- Unique sound-deadening system with sound pads and a special coating.
- Lustrous and enduring finish which compliments any decor.
- Limited lifetime warranty.

Undercounter Laundry



--- Dimensions ---	
Outer	26" x 20-1/2"
Inner	24" x 18-1/2"
Depth	12"

Model	Description	Colors / Finishes
LI-800	Undercounter Laundry Sink	Brushed Nickel Deck

Included Components

- Grid
- Deluxe Drain
- Colander
- Cutout template
- Mounting Hardware

Optional Accessories

- N/A (All accessories included)

Colors / Finishes

- N/A None Applicable

Codes / Standards Applicable

Specified model meets or exceeds the following:

- Warnock Hersey Certified

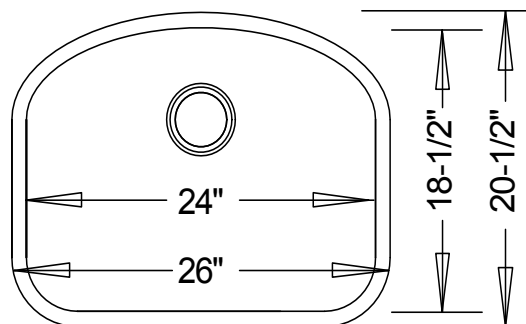


Product Specification

This undercounter laundry sink shall be a single compartment with rounded bowl. Sink shall be 26" in length and 20-1/2" in width, with a bowl depth of 12". Sink shall be made of certified 304 grade 16 gauge stainless steel. Sink shall include grid, deluxe drain, colander, and installation cutout template. Sink shall be C-Tech Model LI-800.

TECHNICAL INFORMATION

Fixture*	
Basin Area	24" x 18-1/2"
Water Depth	12"
Drain Hole	3-5/8" dia.
*Approximate measurements for comparison only.	

**Product Image****Front View****Top View****Product Diagram**