

Features

- Certified 304 Grade Stainless Steel.
- Under Counter installation.
- Single Compartment
- Rounded Bowl
- Unique sound-deadening system with sound pads and a special coating.
- Lustrous and enduring finish which compliments any decor.
- Limited lifetime warranty.

Undercounter Kitchen



--- Dimensions ---	
Outer	14" x 18"
Inner	12" x 16"
Depth	8"

Model	Description	Colors / Finishes
LI-700	Undercounter Sink	Brushed Nickel Deck

Included Components

- Grid
- Deluxe Drain
- Colander
- Cutout template
- Mounting Hardware

Optional Accessories

- N/A (All accessories included)

Colors / Finishes

- N/A None Applicable

Codes / Standards Applicable

Specified model meets or exceeds the following:

- Warnock Hersey Certified



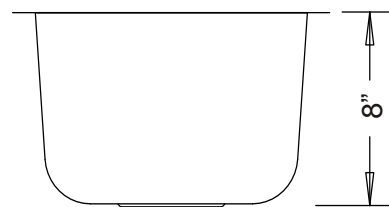
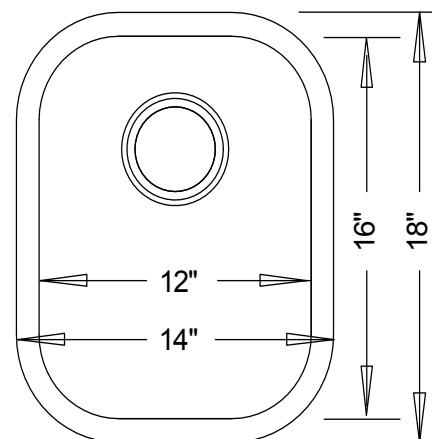
Product Specification

This undercounter sink shall be a single compartment with rounded bowl. Sink shall be 14" in length and 18" in width, with a bowl depth of 8". Sink shall be made of certified 304 grade 16 gauge stainless steel. Sink shall include grid, deluxe drain, colander, and installation cutout template. Sink shall be C-Tech Model LI-700.

TECHNICAL INFORMATION

Fixture*	
Basin Area	12" x 16"
Water Depth	8"
Drain Hole	3-5/8" dia.

*Approximate measurements for comparison only.

**Product Image****Front View****Top View****Product Diagram**