

### Features

- Certified 304 Grade Stainless Steel.
- Farmhouse Style.
- Single Compartment.
- Zero-Radius Inside Corners.
- Unique sound-deadening system with sound pads and a special coating.
- Lustrous and enduring finish which compliments any decor.
- Limited lifetime warranty.

### Farmhouse Kitchen



--- Dimensions ---	
Outer	12" x 17-1/2"
Inner	10" x 15-1/2"
Depth	8"

Model	Description	Colors / Finishes
LI-2400	Farmhouse Sink	Brushed Nickel Deck

### Included Components

- Grid Set
- Single Deluxe Drain
- Colander
- Cutout template
- Mounting Hardware

### Colors / Finishes

- N/A None Applicable

### Optional Accessories

- N/A (All accessories included)

### Codes / Standards Applicable

Specified model meets or exceeds the following:

- Warnock Hersey Certified



### Product Specification

This farmhouse sink shall be a single compartment with a bowl featuring zero-radius inside corners. Sink shall be 12" in length and 17-1/2" in width, with a bowl depth of 8". Sink shall be made of certified 304 grade 16 gauge stainless steel. Sink shall include grid, deluxe drain, Colander and installation cutout template. Sink shall be C-Tech Model LI-2400.

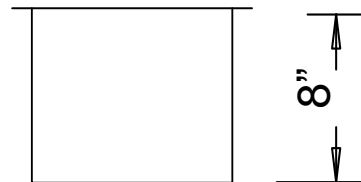
**TECHNICAL INFORMATION**

Fixture*	
Basin Area	10" x 15-1/2"
Water Depth	8"
Drain Hole	3-5/8" dia.
*Approximate measurements for comparison only.	

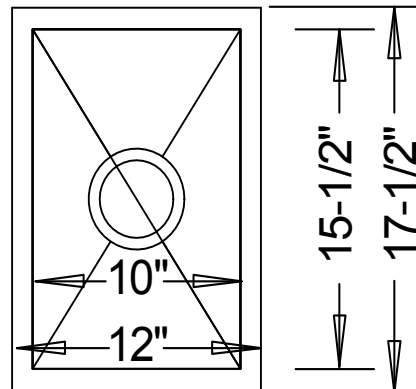


**Product Image**

**Front View**



**Top View**



**Product Diagram**