

LI-1200

Features

- Certified 304 Grade Stainless Steel.
- Front Apron Farmhouse Style.
- Dual Compartments.
- Rounded Bowls.
- Unique sound-deadening system with sound pads and a special coating.
- Lustrous and enduring finish which compliments any decor.
- Limited lifetime warranty.

Front Apron Farmhouse



| --- Dimensions --- | |
|--------------------|-------------------|
| Outer | 35-3/4" x 21-1/2" |
| Left Bowl | 16" x 16" |
| Right Bowl | 16" x 16" |
| Depth (Left) | 10" |
| Depth (Right) | 10" |

| Model | Description | Colors / Finishes |
|---------|-------------------|---------------------|
| LI-1200 | Undercounter Sink | Brushed Nickel Deck |

Included Components

- Grid Set
- Single Deluxe Drain
- Colander
- Cutting BoardS
- Cutout template
- Mounting Hardware

Colors / Finishes

- N/A None Applicable

Optional Accessories

- N/A (All accessories included)

Codes / Standards Applicable

Specified model meets or exceeds the following:

- Warnock Hersey Certified



Product Specification

This undercounter sink shall be a dual compartment with rounded bowls. Sink shall be 35-3/4" in length and 21-1/2" in width, with each bowl having a depth of 10". Sink shall be made of certified 304 grade 16 gauge stainless steel. Sink shall include grid set, single deluxe drain, Colander and installation cutout template. Sink shall be C-Tech Model LI-1200.

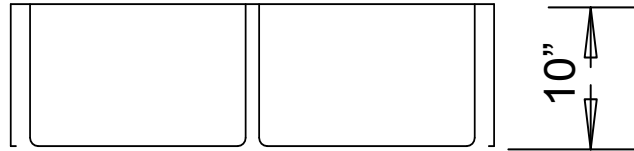
TECHNICAL INFORMATION

| Fixture* | |
|------------------------------------------------|-------------|
| Basin Area (Left Bowl) | 16" x 16" |
| Basin Area (Right Bowl) | 16" x 16" |
| Water Depth (Left Bowl) | 10" |
| Water Depth (Right Bowl) | 10" |
| Drain Hole (Each Bowl) | 3-5/8" dia. |
| *Approximate measurements for comparison only. | |

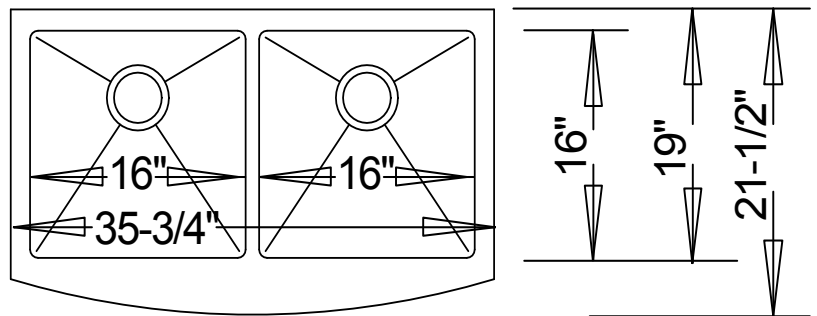


Product Image

Front View



Top View



Product Diagram