

ADA-R-ZS-600

Features

- Certified 304 Grade 18 Gauge Stainless Steel
- Undercounter Style
- ADA-Compliant
(when installed according to ADA mounting guidelines)
- Single Compartment
- R15mm rounded "Radial" inside corners for Easier Cleaning
- Unique sound-deadening system with sound pads and a special coating
- Lustrous and enduring finish which compliments any decor
- Limited lifetime warranty

Undercounter Kitchen



--- Dimensions ---	
Outer:	23-1/2" x 18-1/2" x 5-1/2"
Inner:	21-1/2" x 16-1/2" x 5-1/2"

Model	Description
ADA-R-ZS-600	Undercounter Sink

Included Components

- Mounting Clips
- Cut-out template

Colors / Finishes

- N/A None Applicable

Optional Accessories

- Standard Strainer
- Premium Strainer

Codes / Standards Applicable

Specified model meets or exceeds the following:

- UPC Certified
- CSA Certified



Product Specification

This ADA-Compliant undercounter sink shall be a single compartment with R15mm rounded "Radial" inside corner bowl. It shall be 23-1/2" in length and 18-1/2" in width, with an overall depth of 5-1/2". Sink shall be made of 18 gauge stainless steel. Sink shall be ADA-Compliant when installed according to ADA mounting guidelines. Sink shall include installation hardware. Sink shall be ADA Model ADA-R-ZS-600.

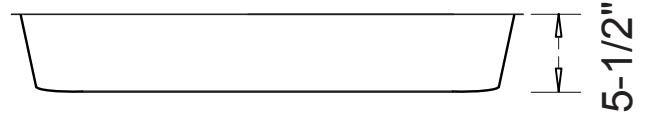
TECHNICAL INFORMATION

-- Fixture -- *	
Basin Area	21-1/2" x 16-1/2" x 5-1/2"
Drain Hole Diameter	3-5/8"
*Approximate measurements for comparison only.	

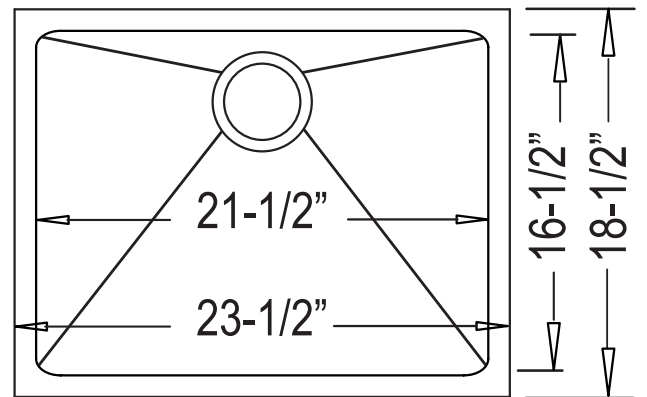


Product Image

Front View



Top View



Product Diagram