

ADA-MP5050

Features

- Certified 304 Grade Surgical Stainless Steel.
- ADA-Compliant
(when installed according to ADA mounting guidelines).
- Installation template matches Metroplace model MP5050.
- Undercounter Style.
- Rear Drain.
- Dual Compartments.
- Rectangular Bowls.
- R20mm rounded "Radial" inside corners for Easier Cleaning.
- Unique sound-deadening system with sound pads and a special coating.
- Lustrous and enduring finish which compliments any decor.
- Limited lifetime warranty.

Undermount Kitchen



| --- Dimensions --- | |
|--------------------|--------------------|
| Outer: | 31" x 18" x 5-1/2" |
| Inner: | 29" x 16" x 5-1/2" |
| Left Bowl: | 14" x 16" x 5-1/2" |
| Right Bowl: | 14" x 16" x 5-1/2" |

| Model | Description | Colors / Finishes |
|------------|-----------------|-------------------|
| ADA-MP5050 | Undermount Sink | N/A |

Included Components

- Mounting Clips
- Cut-out template

Colors / Finishes

- N/A None Applicable

Optional Accessories

- Standard Strainer
- Premium Strainer

Codes / Standards Applicable

Specified model meets or exceeds the following:

- UPC Certified
- CSA Certified



Product Specification

This sink shall be a dual compartment with each bowl featuring R20mm rounded "Radial" inside corners. It shall be 31" in length and 18" in width, with each bowl having an overall depth of 9". Sink shall be made of 18 gauge stainless steel. Sink shall include installation hardware. Sink shall be MetroPlace Model ADA-MP5050.

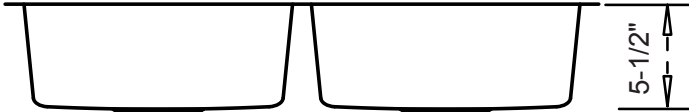
TECHNICAL INFORMATION

| Fixture* | |
|--|-----------|
| Overall Inner Area | 29" x 16" |
| Left Bowl Basin Area | 14" x 16" |
| Right Bowl Basin Area | 14" x 16" |
| Left Bowl Water Depth | 5-1/2" |
| Right Bowl Water Depth | 5-1/2" |
| Drain Hole (Each Bowl) | 3-5/8" D |
| *Approximate measurements for comparison only. | |

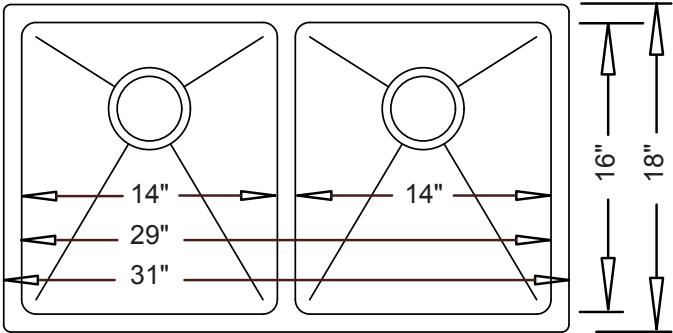


Product Image

Front View



Top View



Product Diagram