

ADA-868

Undercounter Kitchen

Features

- Certified 304 Grade Surgical Stainless Steel
- Undercounter Style
- Rear Drain
- ADA-Compliant
(when installed according to ADA mounting guidelines)
- Single Compartment
- Rounded Bowl
- Unique sound-deadening system with sound pads and a special coating
- Lustrous and enduring finish which compliments any decor
- Limited lifetime warranty



| --- Dimensions --- | |
|--------------------|------------------------|
| Outer: | 30" x 18-1/8" x 5-1/2" |
| Inner: | 28" x 16-1/8" x 5-1/2" |

| Model | Description | Colors / Finishes |
|---------|-------------------|-------------------|
| ADA-868 | Undercounter Sink | N/A |

Included Components

- Cut-out template

Colors / Finishes

- N/A None Applicable

Optional Accessories

- Standard Strainer
- Premium Strainer
- Sink Grid

Codes / Standards Applicable

Specified model meets or exceeds the following:

- UPC Certified
- CSA Certified



Product Specification

This ADA-Compliant sink shall be a single compartment with rounded bowls. It shall be 30" in length and 18-1/8" in width, with a bowl depth of 5-1/2". Sink shall be made of 304 Grade Surgical Stainless Steel. Sink shall be ADA-Compliant when installed according to ADA mounting guidelines. Sink shall include cut-out template.

Sink shall be Model ADA-868.

TECHNICAL INFORMATION

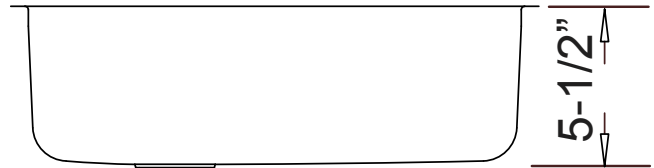
| Fixture* | |
|-------------|---------------|
| Basin Area | 28" x 16-1/8" |
| Water Depth | 5-1/2" |
| Drain Hole | 3-5/8" D |

*Approximate measurements for comparison only.

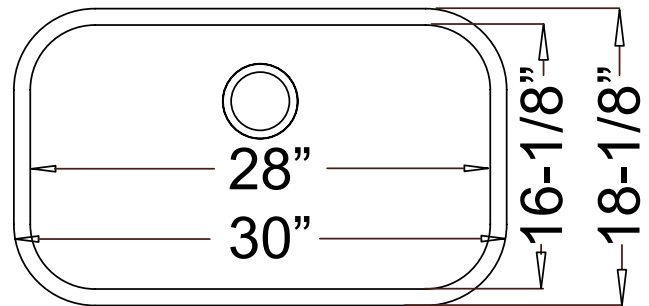


Product Image

Front View



Top View



Product Diagram