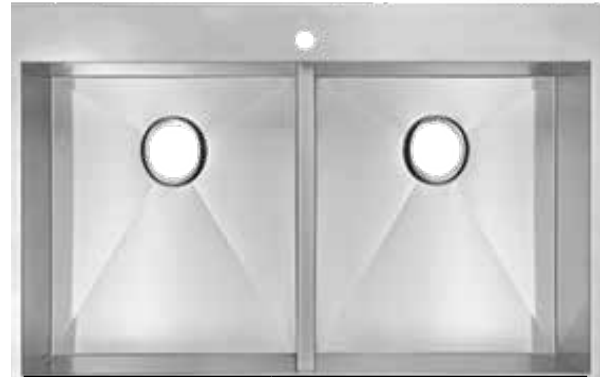


ZS-T-3322-9-2 "50-50"

Features

- Certified 304 Grade 18 Gauge Stainless Steel
- Dual Compartments
- Dual-Mount Undercounter -or- Drop-In
- Rectangular Bowls with square corners
- Unique sound-deadening system with sound pads and a special coating
- Lustrous and enduring finish which compliments any decor
- Limited lifetime warranty

Dual-Mount Kitchen



--- Dimensions ---	
Outer:	33" x 22" x 9"
Inner:	30-1/4" x 16-1/2" x 9"
Left Bowl:	14-1/2" x 16-1/2" x 9"
Right Bowl:	14-1/2" x 16-1/2" x 9"

Model	Description	Colors / Finishes
ZS-T-3322-9-2 "50-50"	Drop-In Sink	N/A

Included Components

- Mounting Clips
- Cut-out template

Colors / Finishes

- N/A None Applicable

Optional Accessories

- Standard Strainer
- Premium Strainer
- Sink Grid #102

Codes / Standards Applicable

Specified model meets or exceeds the following:

- UPC Certified
- CSA Certified



Product Specification

This drop-in sink shall be a single compartment with rectangular bowl. It shall be 33" in length and 22" in width, with each bowl having an overall depth of 9". Sink shall be made of 18 gauge stainless steel. Sink shall include installation hardware. Sink shall be installable as undercounter or drop-in. Sink shall be UrbanPlace Model ZS-T-3322-9-2 "50-50".

ZS-T-3322-9-2 "50-50"

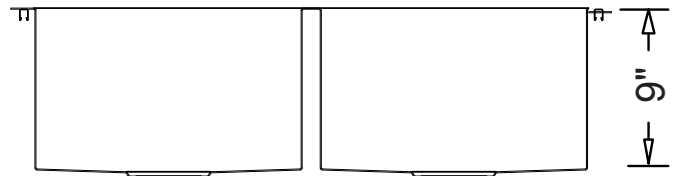
TECHNICAL INFORMATION

Fixture*	
Overall Inner Area	30-1/4" x 16-1/2"
Left Bowl Basin Area	14-1/2" x 16-1/2"
Right Bowl Basin Area	14-1/2" x 16-1/2"
Left Bowl Water Depth	9"
Right Bowl Water Depth	9"
Drain Hole (Each Bowl)	3-5/8" D
*Approximate measurements for comparison only.	

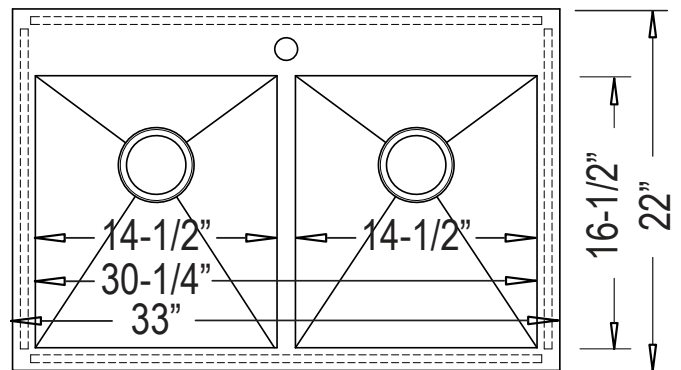


Product Image

Front View



Top View



Product Diagram