

## R-ZS-3300

### Features

- Certified 334 Grade 18 Gauge Stainless Steel
- Single Compartment
- 6-1/2" Front Apron Design
- Fits into most standard cabinets with no cutting
- R15mm rounded "Radial" inside corners for Easier Cleaning
- Unique sound-deadening system with sound pads and a special coating
- Lustrous and enduring finish which compliments any decor
- Limited lifetime warranty

### Front Apron Kitchen



--- Dimensions ---	
Outer:	33" x 21-7/8" x 9"
Inner:	29" x 17" x 9"

Model	Description	Construction Material
R-ZS-3300	Apron Sink	Stainless Steel

### Included Components

- Cut-out template
- Grid
- LI-XD Strainer

### Colors / Finishes

- Brushed Stainless Finish

### Codes / Standards Applicable

Specified model meets or exceeds the following:

- Warnock Hersey Certified
- CSA Certified



### Product Specification

This sink shall be a Front-Apron style single compartment featuring R15mm rounded "Radial" inside corner bowl. It shall be 33" in length and 21-7/8" in width, with a bowl depth of 9". Sink shall be made of 18 gauge stainless steel. Sink shall include installation hardware, Grid, and LI-XD Strainer. Sink shall be UrbanPlace Model R-ZS-3300.

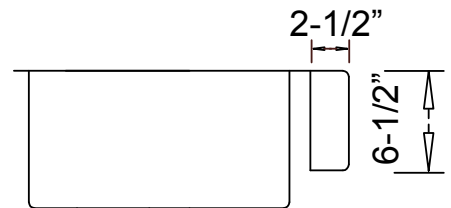
## TECHNICAL INFORMATION

<b>-- Fixture -- *</b>	
Basin Area	29" x 17" x 9"
Drain Hole Diameter	3-5/8"
*Approximate measurements for comparison only.	

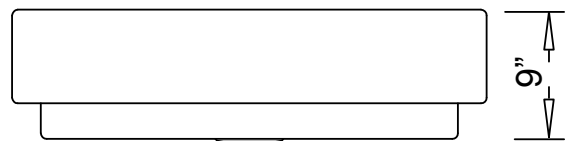


**Product Image**

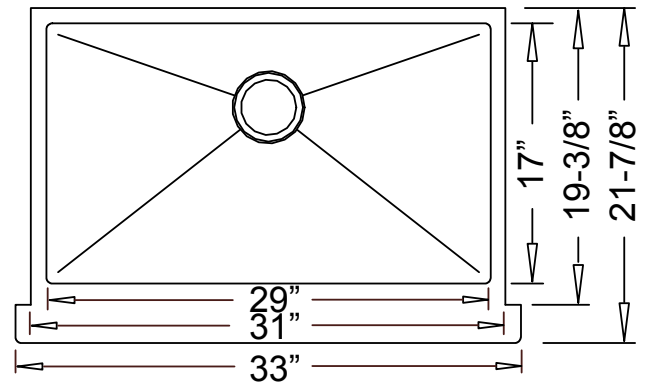
**Side View**



**Front View**



**Top View**



**Product Diagram**