



## Specification Sheet

# PAUS09 - "New Englander"

### Features

- Certified 304 Grade 18 Gauge Stainless Steel
- Undercounter
- Single Compartment
- Rounded Bowl
- Lustrous and enduring finish which compliments any decor.
- Limited lifetime warranty.

### Undercounter Kitchen



--- Dimensions ---  
 Outer  
 23-1/2" x 21-1/8" x 8"  
 Inner  
 21" x 18-5/8" x 8"

Model	Description	Colors / Finishes
PAUS09 "New Englander"	Undercounter Sink	N/A

### Included Components

- Mounting Clips
- Cut-out template

### Colors / Finishes

- N/A None Applicable

### Optional Accessories

- Standard Strainer
- Premium Strainer

### Codes / Standards Applicable

Specified model meets or exceeds the following:

- UPC Certified
- ASME Certified
- CSA Certified



### Product Specification

This undercounter sink shall be a single compartment with rounded bowl. It shall be 23-1/2" in length and 21-1/8" in width, with an overall depth of 8". Sink shall be made of 18 gauge stainless steel. Sink shall include installation hardware.

Sink shall be Patriot Model PAUS09, "New Englander".

# PAUS09 - "New Englander"

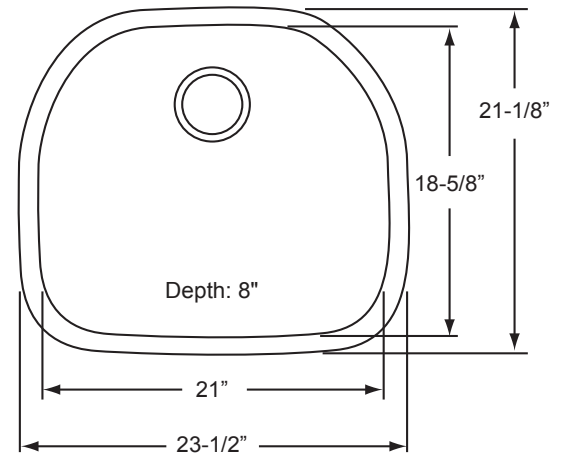
## TECHNICAL INFORMATION

Fixture*	
Basin Area	21" x 18-5/8"
Water Depth	8"
Drain Hole	3-5/8" D

\*Approximate measurements for comparison only.



Product Image



Product Diagram