



## Specification Sheet

# PAUD21 - "New Yorker"

### Features

- Certified 304 Grade 18 Gauge Stainless Steel
- Undercounter
- 50/50 Style
- Dual Compartments
- Rounded Bowls
- Lustrous and enduring finish which compliments any decor.
- Limited lifetime warranty.

### Undercounter Kitchen



--- Dimensions ---

Outer

31-3/4" x 18-1/4" x 8"

Left Bowl

14" x 15-3/4" x 8"

Right Bowl

14" x 15-3/4" x 8"

Model	Description	Colors / Finishes
PAUD21 "New Yorker"	Undercounter Sink	N/A

### Included Components

- Mounting Clips
- Cut-out template

### Colors / Finishes

- N/A None Applicable

### Optional Accessories

- Standard Strainer
- Premium Strainer

### Codes / Standards Applicable

Specified model meets or exceeds the following:

- UPC Certified
- ASME Certified
- CSA Certified



### Product Specification

This undercounter sink shall be a dual compartment with rounded bowls, in a 50/50 style. It shall be 31-1/4" in length and 18-1/4" in width, with each bowl having an overall depth of 8". Sink shall be made of 18 gauge stainless steel. Sink shall include installation hardware. Sink shall be Patriot Model PAUD21, "New Yorker".

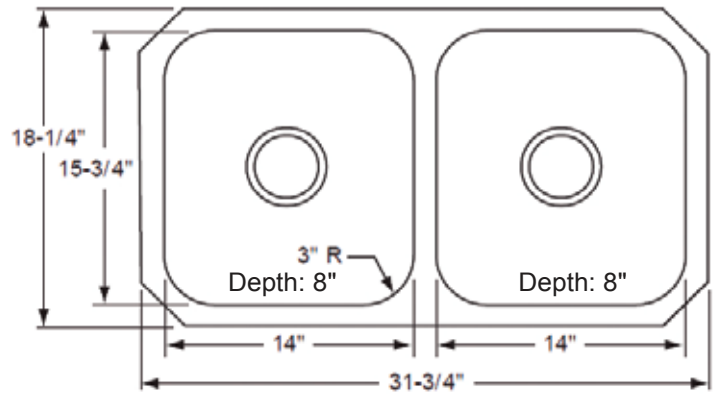
# PAUD21 - "New Yorker"

## TECHNICAL INFORMATION

Fixture*	
Basin Area (Left Bowl)	14" x 15-3/4"
Basin Area (Right Bowl)	14" x 15-3/4"
Water Depth (Left Bowl)	8"
Water Depth (Right Bowl)	8"
Drain Hole (Each Bowl)	3-5/8" D
*Approximate measurements for comparison only.	



Product Image



Product Diagram