



Specification Sheet

PAUD16 - "Virginian"

Features

- Certified 304 Grade 18 Gauge Stainless Steel
- Undercounter
- 60/40 Style
- Dual Compartments
- Rounded Bowls
- Lustrous and enduring finish which compliments any decor.
- Limited lifetime warranty.

Undercounter Kitchen



--- Dimensions ---
 Outer
 31-1/4" x 20-1/2"
 Left Bowl
 13-1/2" x 18" x 10"
 Right Bowl
 14" x 15-3/4" x 8"

Model	Description	Colors / Finishes
PAUD16 "Virginian"	Undercounter Sink	N/A

Included Components

- Mounting Clips
- Cut-out template

Colors / Finishes

- N/A None Applicable

Optional Accessories

- Standard Strainer
- Premium Strainer

Codes / Standards Applicable

Specified model meets or exceeds the following:

- UPC Certified
- ASME Certified
- CSA Certified



Product Specification

This undercounter sink shall be a dual compartment with rounded bowls, in a 60/40 style. It shall be 31-1/4" in length and 20-1/2" in width, with the left bowl having an overall depth of 10" and the right bowl having an overall depth of 8". Sink shall be made of 18 gauge stainless steel. Sink shall include installation hardware. Sink shall be Patriot Model PAUD16, "Virginian".

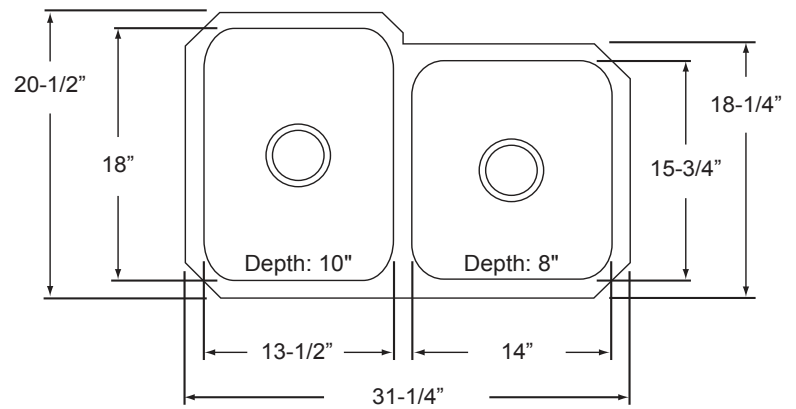
PAUD16 - "Virginian"

TECHNICAL INFORMATION

Fixture*	
Basin Area (Left Bowl)	13-1/2" x 18"
Basin Area (Right Bowl)	14" x 15-3/4"
Water Depth (Left Bowl)	10"
Water Depth (Right Bowl)	8"
Drain Hole (Each Bowl)	3-5/8" D
*Approximate measurements for comparison only.	



Product Image



Product Diagram