

Features

- Certified 304 Grade 18 Gauge Surgical Stainless Steel.
- Dimensions match 16g. Intrepid model 16844.
- Undermount Design.
- Single Compartment.
- Rounded Bowl.
- R50mm rounded "Radial" inside corners for Easier Cleaning.
- Unique sound-deadening system with sound pads and a special coating.
- Lustrous and enduring finish which compliments any decor.
- Limited lifetime warranty.

Undermount Kitchen



--- Dimensions ---	
Outer:	15" x 18-1/2" x 8"
Inner:	13" x 16-1/2" x 8"

Model	Description	Colors / Finishes
VS18718	Undermount Sink	N/A

Included Components

- Mounting Clips
- Cut-out template

Colors / Finishes

- N/A None Applicable

Optional Accessories

- Standard Strainer
- Premium Strainer
- Sink Grid #GD-112

Codes / Standards Applicable

Specified model meets or exceeds the following:

- UPC Certified



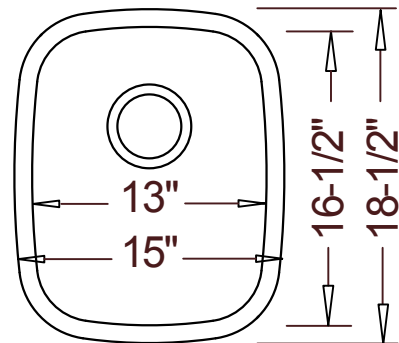
Product Specification

This Undermount sink shall be a single compartment with rounded bowl. It shall be 15" in length and 18-1/2" in width, with an overall depth of 8". Sink shall be made of 18 Gauge Stainless Steel. Sink shall include installation hardware.

Sink shall be Lancer Model VS18718.

TECHNICAL INFORMATION

Fixture*	
Overall Inner Area	13" x 16-1/2"
Water Depth	8"
Drain Hole	3-5/8" D
*Approximate measurements for comparison only.	

**Product Image****Front View****Top View****Product Diagram**