

#### Features

- Certified 304 Grade 15 gauge stainless steel.
- Handmade farmhouse design.
- Dual compartments.
- Available in either “Zero Edge”, or R15mm rounded “Radial” inside corners.
- Unique sound-deadening system with sound pads and a special coating.
- Lustrous and enduring finish which compliments any decor.
- Limited lifetime warranty.

#### “Handmade” Farmhouse Kitchen



Shown with “Zero-Edge” corners

--- Dimensions ---

Outer

32” x 19” x 10”

Left Bowl

14-1/2” x 17” x 10”

Right Bowl

14-1/2” x 17” x 10”

Model	Description	Colors / Finishes
HA120B-N - “Bowie”	Handmade Farmhouse Sink with “Zero Edge” Corners	N/A
HR-HA120B-N - “Bowie Radial”	Handmade Farmhouse Sink with R15mm inside “Radial” Corners	N/A

#### Included Components

- Mounting Clips
- Cut-out template

#### Colors / Finishes

- N/A None Applicable

#### Optional Accessories

- Sink Grid Set #GD-124
- LI-XD Strainer w/ Basket

#### Codes / Standards Applicable

Specified model meets or exceeds the following:

- UPC Certified



#### Product Specification

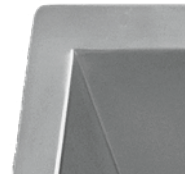
This handmade farmhouse sink shall be a dual compartment with rectangular bowls, featuring either “Zero-Edge”, or R15mm rounded “Radial” inside corners. Sink shall be 32” in length and 19” in width, with each bowl having a depth of 10”. Sink shall be made of 15 gauge stainless steel. Sink shall include installation hardware. Sink shall be Homeplace Models HA120B-N, “Bowie”, and HR-HA120B-N, “Bowie Radial”.

**TECHNICAL INFORMATION**

Fixture*	
Basin Area (Left Bowl)	14-1/2" x 17"
Basin Area (Right Bowl)	14-1/2" x 17"
Water Depth (Left Bowl)	10"
Water Depth (Right Bowl)	10"
Drain Hole (Each Bowl)	3-5/8" D
*Approximate measurements for comparison only.	



**Product Image**  
(Shown with “Zero-Edge” corners)

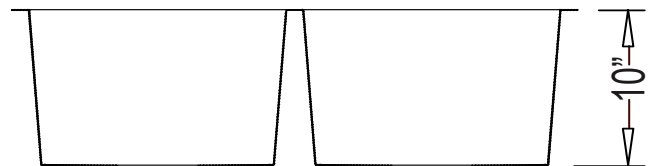


**“Zero-Edge”  
Corner Detail**

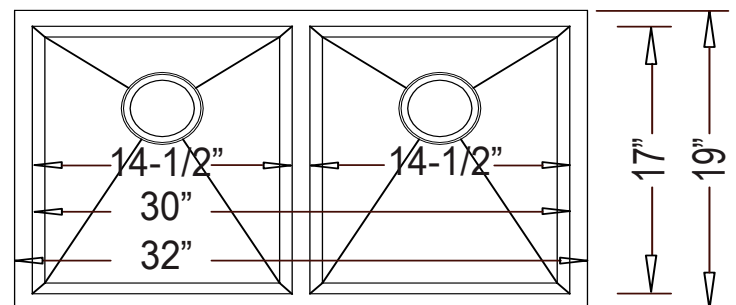


**R15mm “Radial”  
Corner Detail**

**Front View**



**Top View**



**Product Diagram**  
(Shown with “Zero-Edge” corners)