

728-UM “La Quinta”

Undermount Kitchen

Features

- Single Piece Cast Iron Construction
- Undermount Design
- Single Compartment
- Rounded Bowl
- Porcelain Enameled Finish
- Available In Multiple Colors
- Limited lifetime warranty



--- Dimensions ---	
Outer:	16" x 17-1/2" x 9"
Inner:	13" x 14-1/2" x 9"

Model	Description
728-UM “La Quinta”	Undermount Sink

Included Components

- Cut-out template

Colors / Finishes

- White
- Black
- Biscuit

Optional Accessories

- Vance Undermount Installation Kit *
- Standard Strainer
- Premium Strainer
- Sink Grid
- Cutting Board

Codes / Standards Applicable

Specified model meets or exceeds the following:

- UPC Certified
- CSA Certified
- IAMPO Certified
- SCC Certified



* Required for Warranty

Product Specification

This sink shall be a single compartment with rounded bowl. It shall be 16" in length and 17-1/2" in width, with a bowl depth of 9". Sink shall be a single piece made from Cast Iron, available in select porcelain enamel finish. Sink shall include cut-out template. Sink shall be Model 728-UM “La Quinta”.

728-UM "La Quinta"

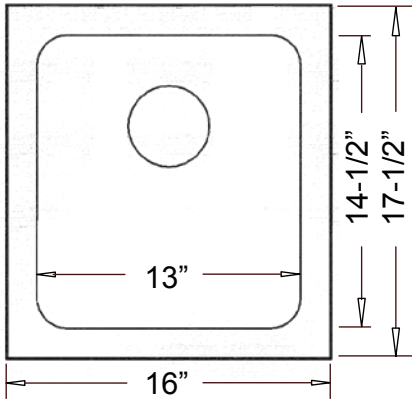
TECHNICAL INFORMATION

-- Fixture -- *	
Basin Area	13" x 14-1/2" x 9"
Drain Holes Diameter	3-5/8"
*Approximate measurements for comparison only.	

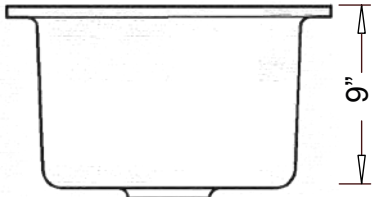


Product Image

Top View



Front View



Product Diagram