

## ADA-963

### Drop-In Kitchen

#### Features

- Certified 304 Grade Surgical Stainless Steel
- Drop-In Style
- Rear Drain
- ADA-Compliant  
(when installed according to ADA mounting guidelines)
- Single Compartment
- Rounded Bowl
- Unique sound-deadening system with sound pads and a special coating
- Lustrous and enduring finish which compliments any decor
- Limited lifetime warranty



--- Dimensions ---	
Outer:	20" x 20-1/2" x 6"
Inner:	18" x 16-1/8" x 6"

Model	Description	Colors / Finishes
ADA-963	Drop-In Sink	N/A

#### Included Components

- Cut-out template

#### Colors / Finishes

- N/A None Applicable

#### Optional Accessories

- Standard Strainer
- Premium Strainer
- Sink Grid

#### Codes / Standards Applicable

Specified model meets or exceeds the following:

- UPC Certified
- CSA Certified



#### Product Specification

This ADA-Compliant sink shall be a single compartment with rounded bowl. It shall be 20" in length and 20-1/2" in width, with a bowl depth of 6". Sink shall be made of 304 Grade Surgical Stainless Steel. Sink shall be ADA-Compliant when installed according to ADA mounting guidelines. Sink shall include cut-out template. Sink shall be Model ADA-963.

**TECHNICAL INFORMATION**

Fixture*	
Basin Area	18" x 16-1/8"
Water Depth	6"
Drain Hole	3-5/8" D

\*Approximate measurements for comparison only.

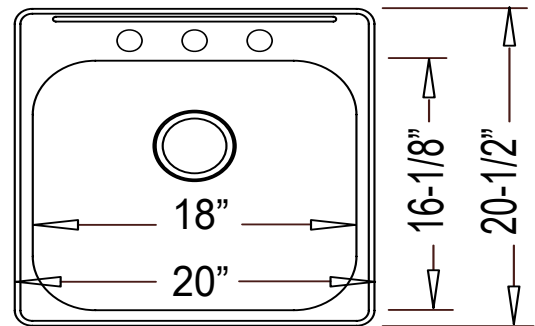


**Product Image**

**Front View**



**Top View**



**Product Diagram**