



### **Polished Chrome**

The integrity of solid brass plated in highly polished chrome for a stunning mirror smooth finish lends authenticity to modern retro designs and futuristic high tech settings.

### **Satin Nickel**

The perfect design solution for applications when both silver tones and an aura of understated sophistication are needed.

### **Oil-Rubbed Bronze**

A finish that starts its long life with a matte black appearance blooms, with time and handling to reveal subtle bronze highlights that suggest they have been centuries in the making.



## Description

- Pull-Down Kitchen Faucet
- 35mm Ceramic Cartridge (NTK Ceramic Disc)
- Water Saving 2.2 GPM Aerator (Option 1.5 GPM)
- Switches Spray/Stream Spray "Corn" Head
- 180° Swivel Spout, Two Check Valves Include
- Metal Lever ADA Certificate Handle
- Single Hole Base Ring Fit 1-3/8" to 2" Hole
- 60" Length Pull-Down S.S. Flexible Hose
- 3/8" Comp x 30" C/H S.S. Braided Supply Hose
- Quick Mount Locking Nut Mechanism

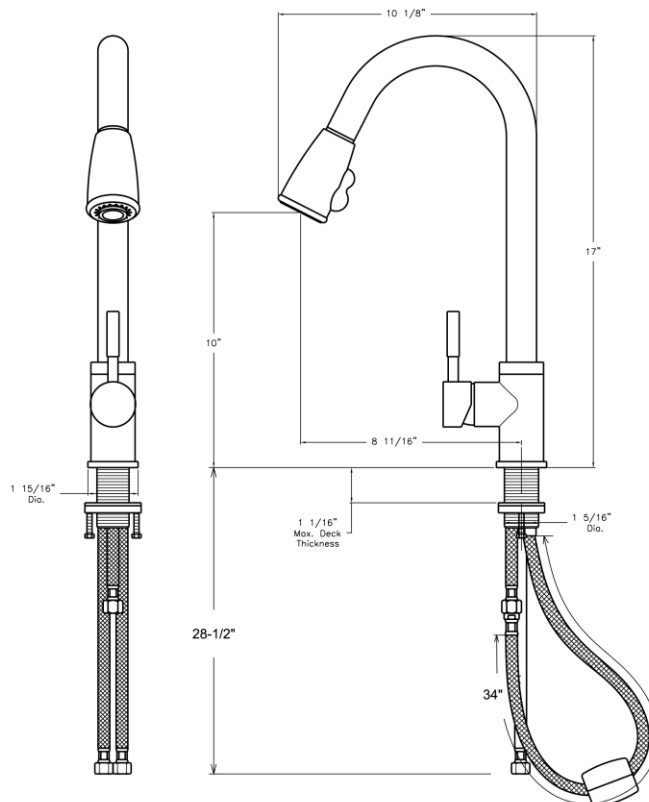
**Model:**  
**WL-K-120000-ZZ**

## Compliance

- Complies with the requirements of CUPC
- Complies with NSF
- Complies with AB1953
- Complies with ASME

## Warranty

- Limited Lifetime Warranty



# Kitchen Pull-Down



## Model: WL-K-120000-ZZ

### Available Finishes

- Chrome (CP)
- Satin Nickel (SN)
- Oil Robbed Bronze (ORB)

### Standards



- IAPMO UPC/CUPC
- NSF 61-9



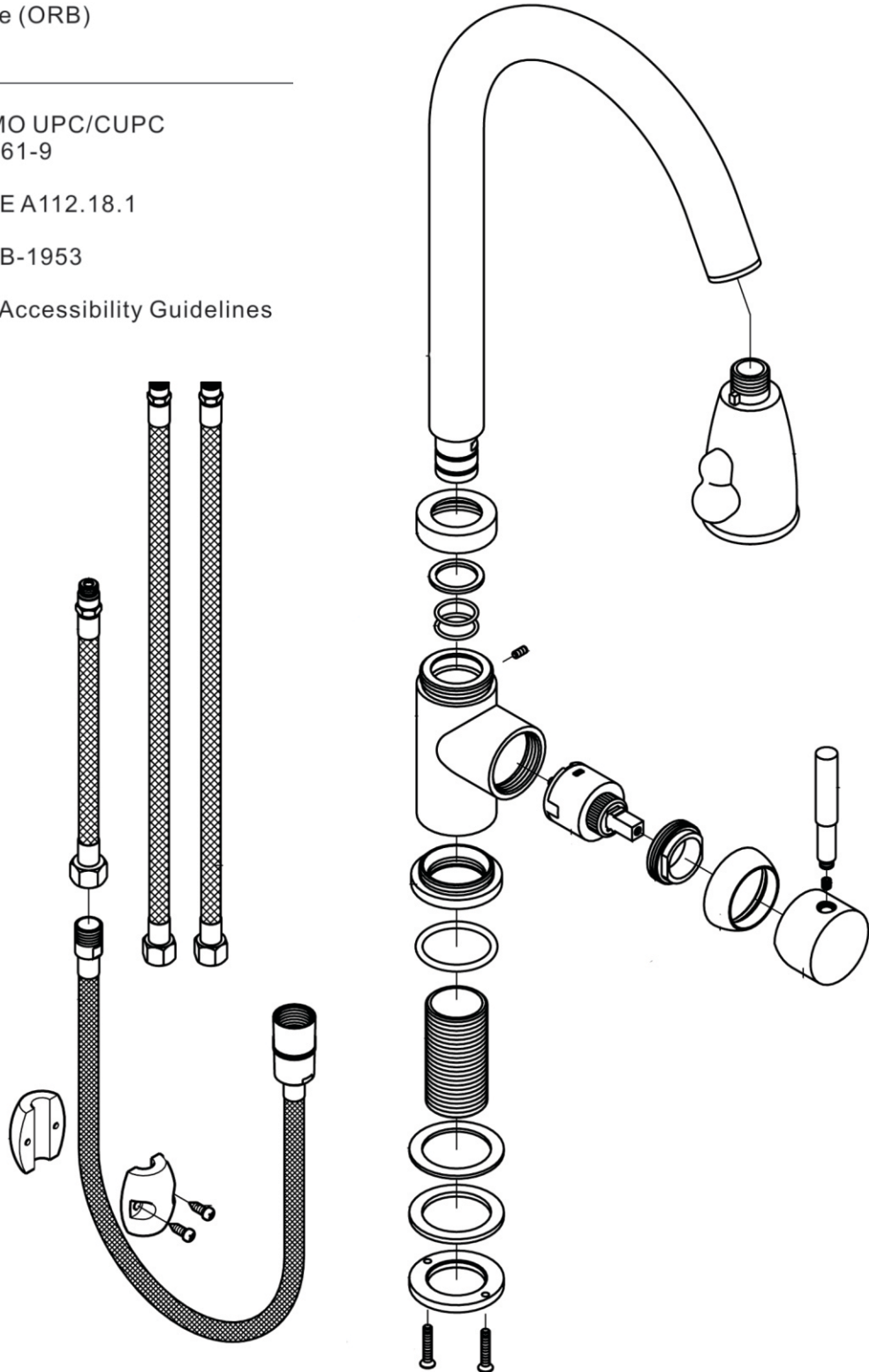
- ASME A112.18.1



- CAAB-1953



- ADA Accessibility Guidelines



## Instruction Sheet

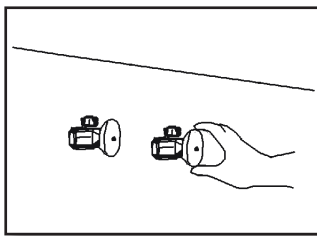
Please read carefully before installation.



**Model Number:**

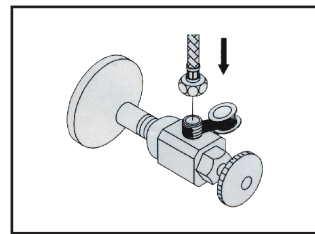
WL-K-120000-CP  
WL-K-120000-SN  
WL-K-120000-ORB

**INSTALLATION STEPS:  
INSTRUCTIONS POUR LE MONTAGE:**



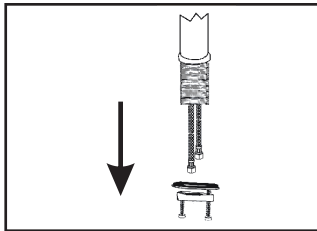
1. Shut off water supply.  
Remove old faucet.  
Clean sink surface in  
preparation for new faucet

Fermer l'alimentation en eau.  
Enlever le vieux robinet.  
Nettoyer la surface du lavabo  
en prevision de l'installation  
du robinet neuf.



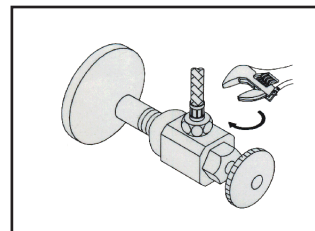
of the water supply.

Appliquer du rubon pour  
tuyau sur les filets de  
l'alimentation d'eau.



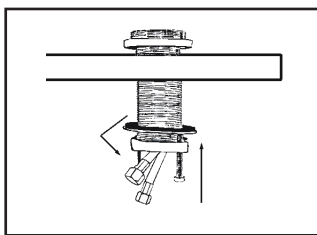
2. Remove rubber washer,  
metal washer and lock  
nut from brass shank.

Retirer rondelle en  
caoutchouc, métal machine  
à laver et un contre-écrou de  
tige de laiton.



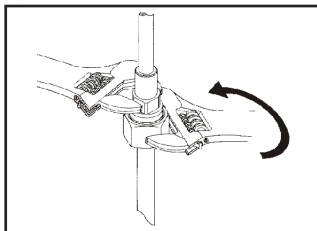
6. Tighten the hose onto  
water supply.

Visser le boyau sur la  
conduite d'alimentation  
d'eau.



3. Position new faucet. Attach  
rubber seal, metal washer,  
and lock nut on mounting  
body. Tighten the two screws  
on lock nut.

Mettre le nouveau robinet en  
place. Fixer la rondelle étanche,  
la rondelle de métal et l'écrou de  
blocage au corps. Serrer les deux  
vis de l'écrou de blocage.



4. Attach water supply hose to the  
faucet. Tighten end of shank  
with wrench and slip hose onto  
inlet port.

Joindre l'approvisionnement en  
eau tuyau au robinet. Serrer  
l'extrémité de la tige à l'aide de  
la clé et glisser boyau sur l'orifice  
d'entrée.

**Maintenance:** Your new faucet is designed for years of trouble-free performance. Keep it looking new by cleaning it periodically with a soft cloth. Avoid abrasive cleaners, steel wool and harsh chemicals as these will dull the finish and void your warranty.

**Entretien:** Votre nouveau robinet est conçu pour fonctionner sans problèmes, des années durant. Le nettoyer périodiquement avec un chiffon doux pour qu'il conserve la même apparence qu'à l'état neuf. Éviter les nettoyeurs abrasifs, la laine d'acier et les produits chimiques forts puisqu'ils endommageront le fini et rendront votre garantie nulle.